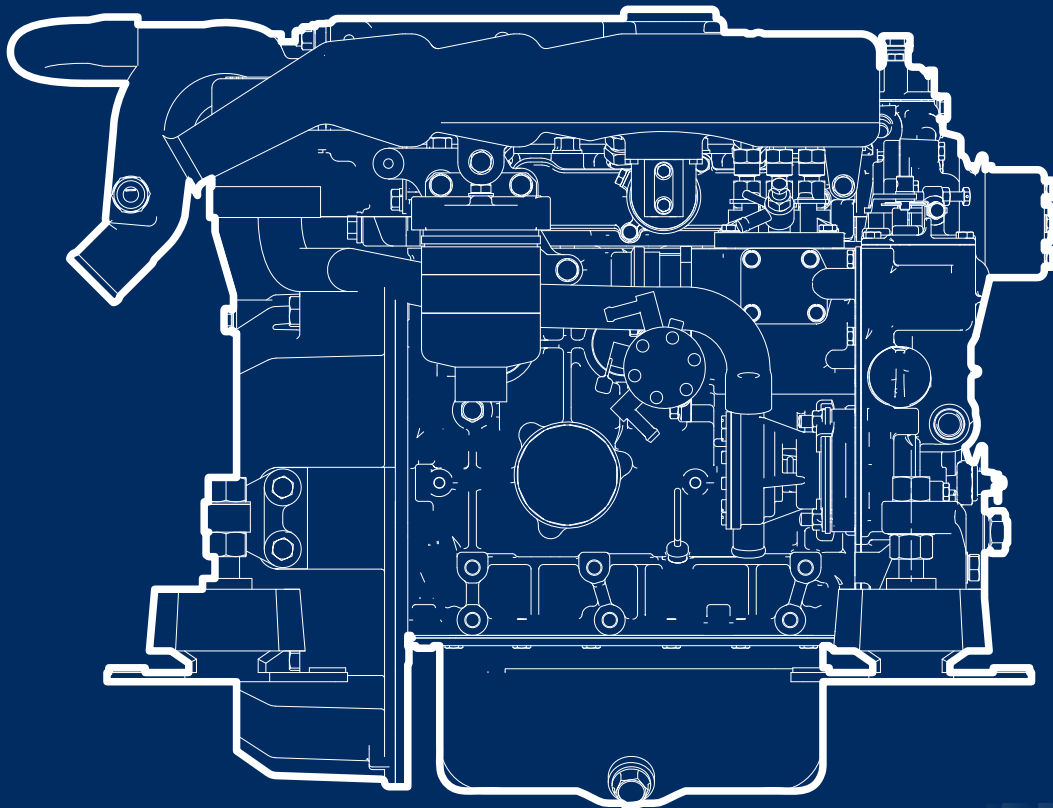




Craftsman
MARINE



SPARE PARTS

CATALOGUE CM 3.27

CRAFTED WITH CRAFTSMAN MARINE

PROPULSION

Disclaimer

The specifications and the descriptions in this spareparts book were correct at the time of going to press. However, Craftsman Marine is continuously striving after the improvement of its products and therefore reserves the right to modify – at all times and without prior notification - product specifications and instruction manuals.

1.0 MARINISATION PARTS

1.1 SPARES SET	PAGE 4
1.2 AIR INTAKE	PAGE 6
1.3 FUEL FILTER	PAGE 8
1.4 ENGINE SUPPORT	PAGE 10
1.5 HEAT EXCHANGE	PAGE 12
1.6 KEELCOOLER MANIFOLD	PAGE 14
1.7 HOSES	PAGE 16
1.8 RAW WATER PUMP	PAGE 18
1.9 FLYWHEEL HOUSING	PAGE 20

2.0 MITSUBISHI PARTS

2.1 CRANKCASE	PAGE 22
2.2 TIMING GEAR & CASE	PAGE 24
2.3 OIL SUMP	PAGE 26
2.4 CYLINDER HEAD	PAGE 28
2.5 CRANKCASE & FLYWHEEL	PAGE 30
2.6 CAMSHAFT & VALVE DRIVE	PAGE 32
2.7 GASKET KIT	PAGE 34
2.8 CIRCULATION PUMP	PAGE 36
2.9 FUEL SYSEM	PAGE 38
2.10 NOZZLE HOLDER	PAGE 40
2.11 FUEL PUMP	PAGE 42
2.12 REGULATOR	PAGE 44

3.0 ELECTRONICS

3.1 ALTERNATOR & STARTER	PAGE 46
3.2 TERMINAL BOX	PAGE 46
3.3 SENSORS	PAGE 50
3.4 INSTRUMENT PANEL	PAGE 52

SPARE PARTS

CM3.27



1.1 SPARES SET

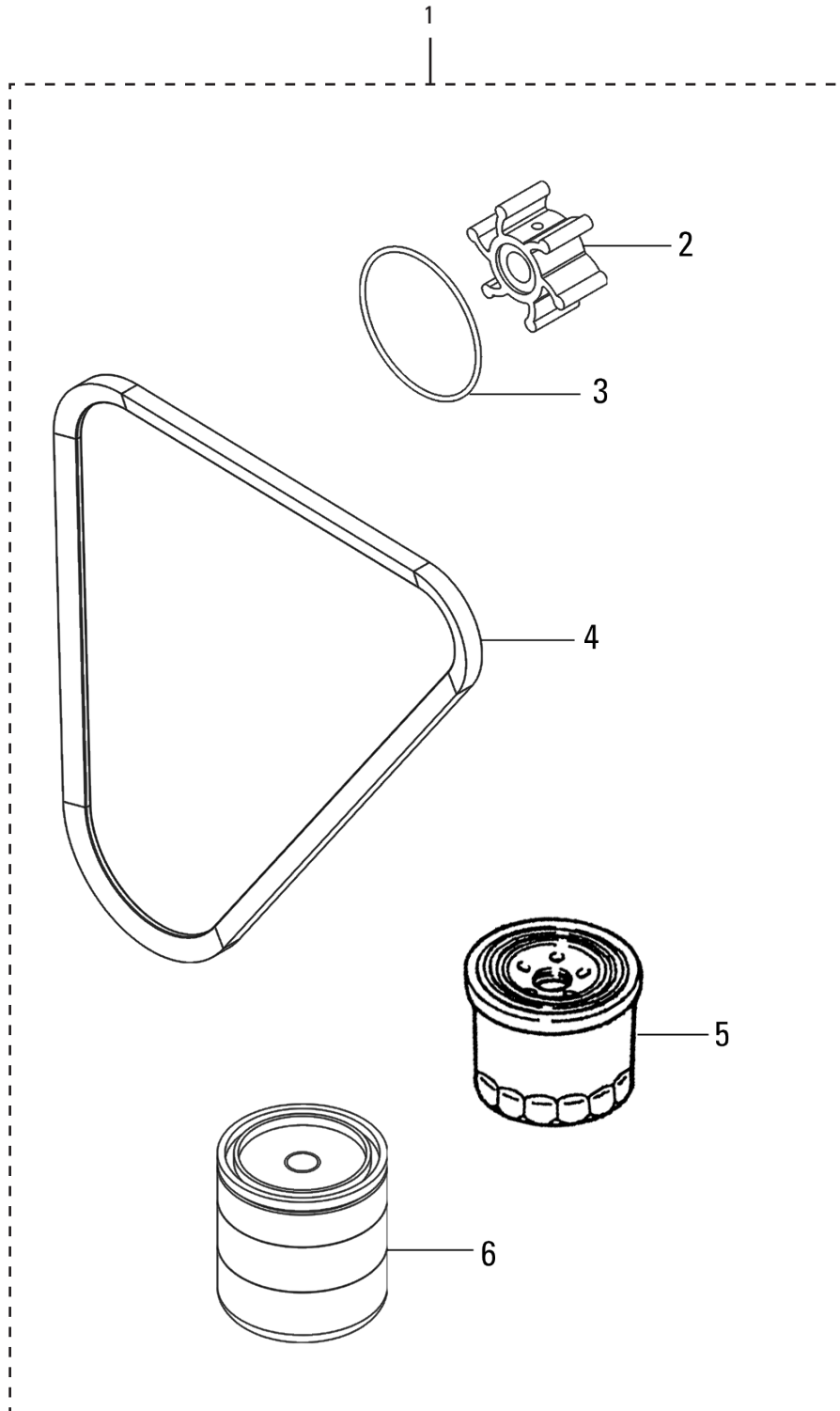
MARINISATION PARTS

MITSUBISHI PARTS

ELECTRONICS

Pos.	Qty	Part	Description	Comment
1	1	AA.200.90054	SERVICE SET COMPLETE	
2	1	AA.200.90021	IMPELLER	
3	1	AA.200.90030	O-RING	
4	1	AA.300.91202	V-BELT	
5	1	AA.010.90001	OILFILTER	
6	1	AA.200.90017	FUEL FILTER	

1.1 SPARES SET



1.2 AIR INTAKE

Pos.	Qty	Part	Description	Comment
1	1	AA.300.91000	AIR INLET COVER SUB ASSY	
101	1	AA.300.91001	PIPE	
102	1		AIR INLET COVER	
2	1	AA.300.91002	BOLT, W/WASHER	
3	1	AA.300.91003	GASKET, INTAKE MANF	
5	2	AA.300.91004	BOLT	
6	2	AA.300.91005	BOLT	
7	2	AA.300.90062	BOLT M5X25	
8	2	AA.300.90063	WASHER M5	
9	1	AA.200.90050	CABLE CLAMP	
10	1	AA.300.90064	MODEL PLATE	NOT SHOWN
11	1	AA.300.90026	AIR INTAKE HOUSING	
12	1	AA.300.90065	O-RING 36X3,5	
13	1	AA.300.90066	HOSE CLAMP 38X50	
14	1	AA.300.90050	AIR INTAKE BEND	
15	1	AA.300.90067	BOLT M8X40	
16	1	AA.300.90068	WASHER M8	

MARINISATION PARTS

MITSUBISHI PARTS

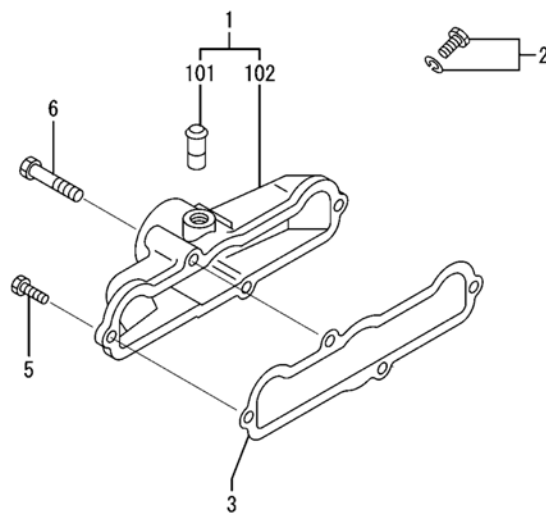
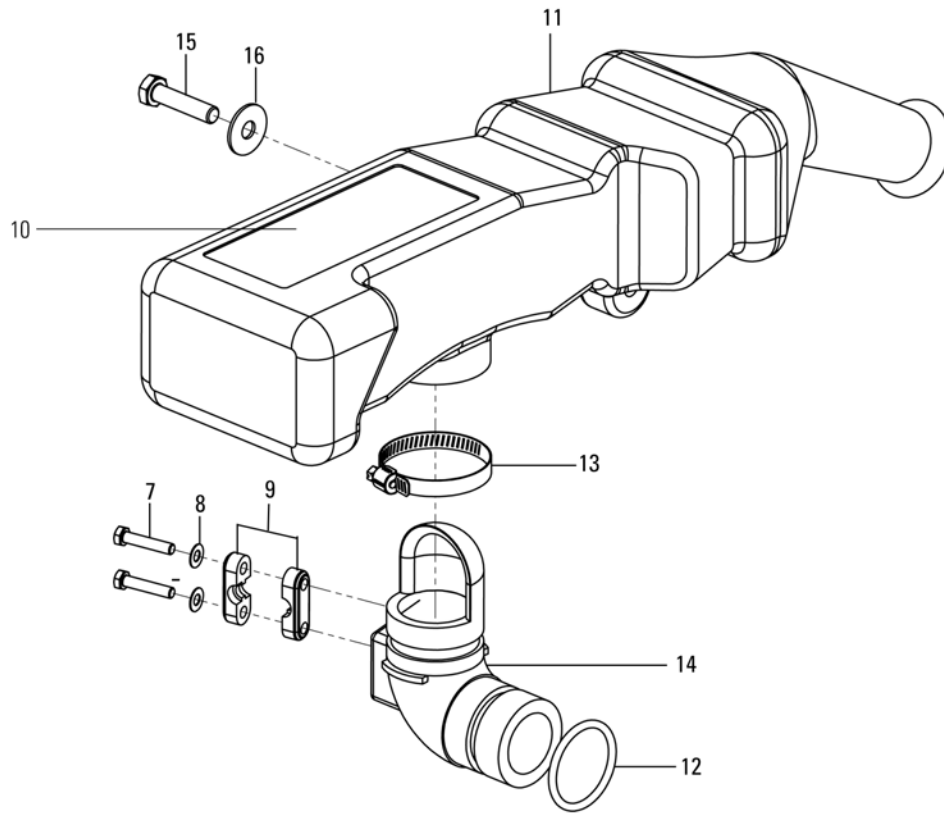
ELECTRONICS

SPARE PARTS

CM3.27

Craftsman
MARINE

1.2 AIR INTAKE



MARINISATION PARTS

MITSUBISHI PARTS

ELECTRONICS

SPARE PARTS

CM3.27



1.3 FUEL FILTER

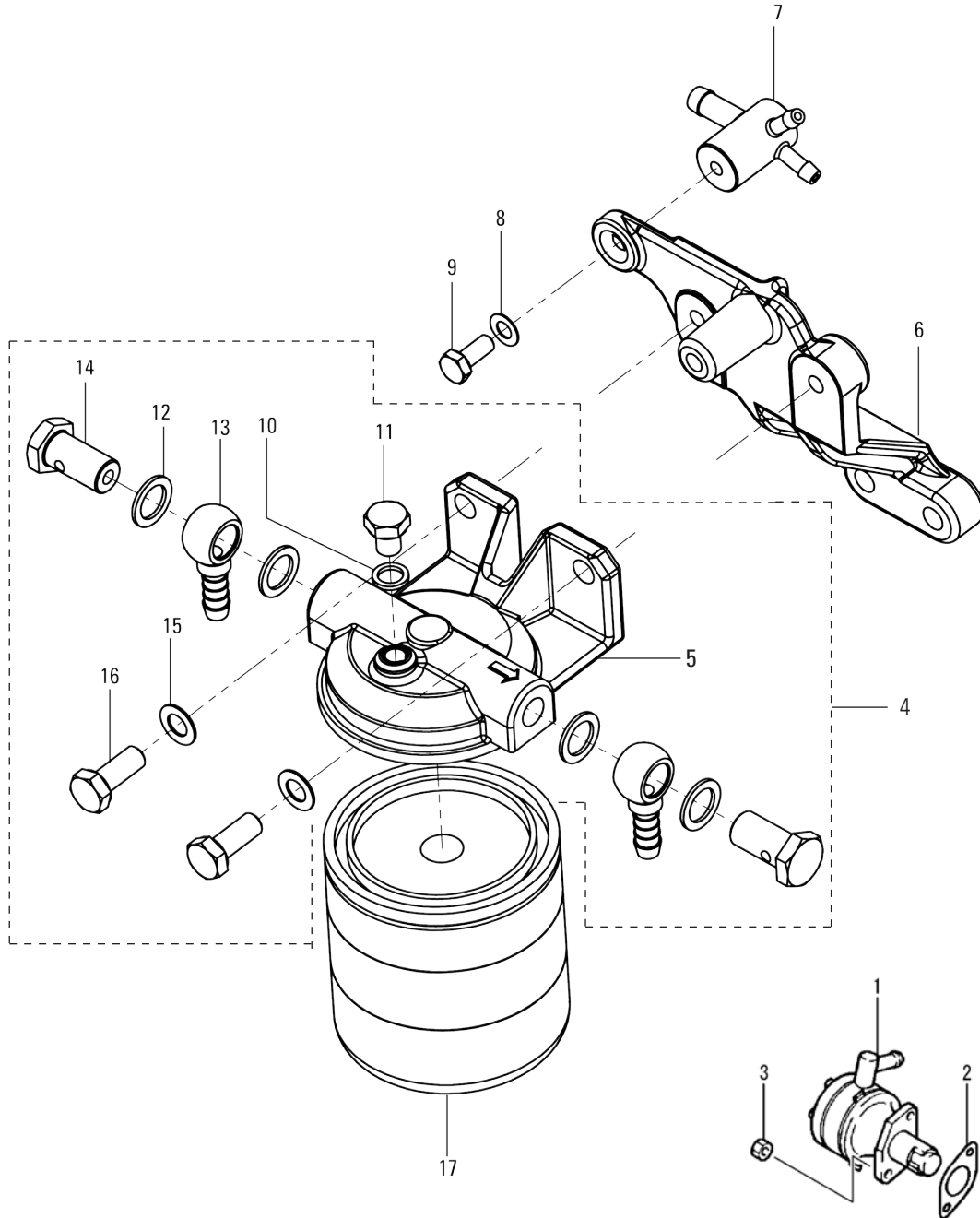
Pos.	Qty	Part	Description	Comment
1	1	AA.200.90024	PUMP ASSY, FUEL	
2	1	AA.300.91006	GASKET	
3	2	AA.300.91007	NUT	
4	1	AH.010.60007	BASE FUEL FILTER COMPLETE	
5	1	*	BASE FUEL FILTER	
6	1	AA.200.90052	SUPPORT	
7	1	AA.200.90053	NIPPLE	
8	1	AA.300.90069	WASHER M6	
9	1	AA.300.90070	BOLT M6x20	
10	1	AA.300.90068	WASHER M8	
11	1	AA.300.90072	BOLT M8x10	
12	4	AA.300.90073	SEAL WASHER M12	
13	2	AA.300.90074	BANJO EYE	
14	2	AA.300.90075	BANJO BOLT M12x1	
15	2	AA.300.90076	WASHER M10	
16	2	AA.300.90077	BOLT M10x30	
17	1	AA.200.90017	FUELFILTER	
18	*	AA.300.90078	FUEL HOSE 8MM	NOT SHOWN
19	6	AA.300.90079	HOSE CLAMP 11X16	NOT SHOWN

MARINISATION PARTS

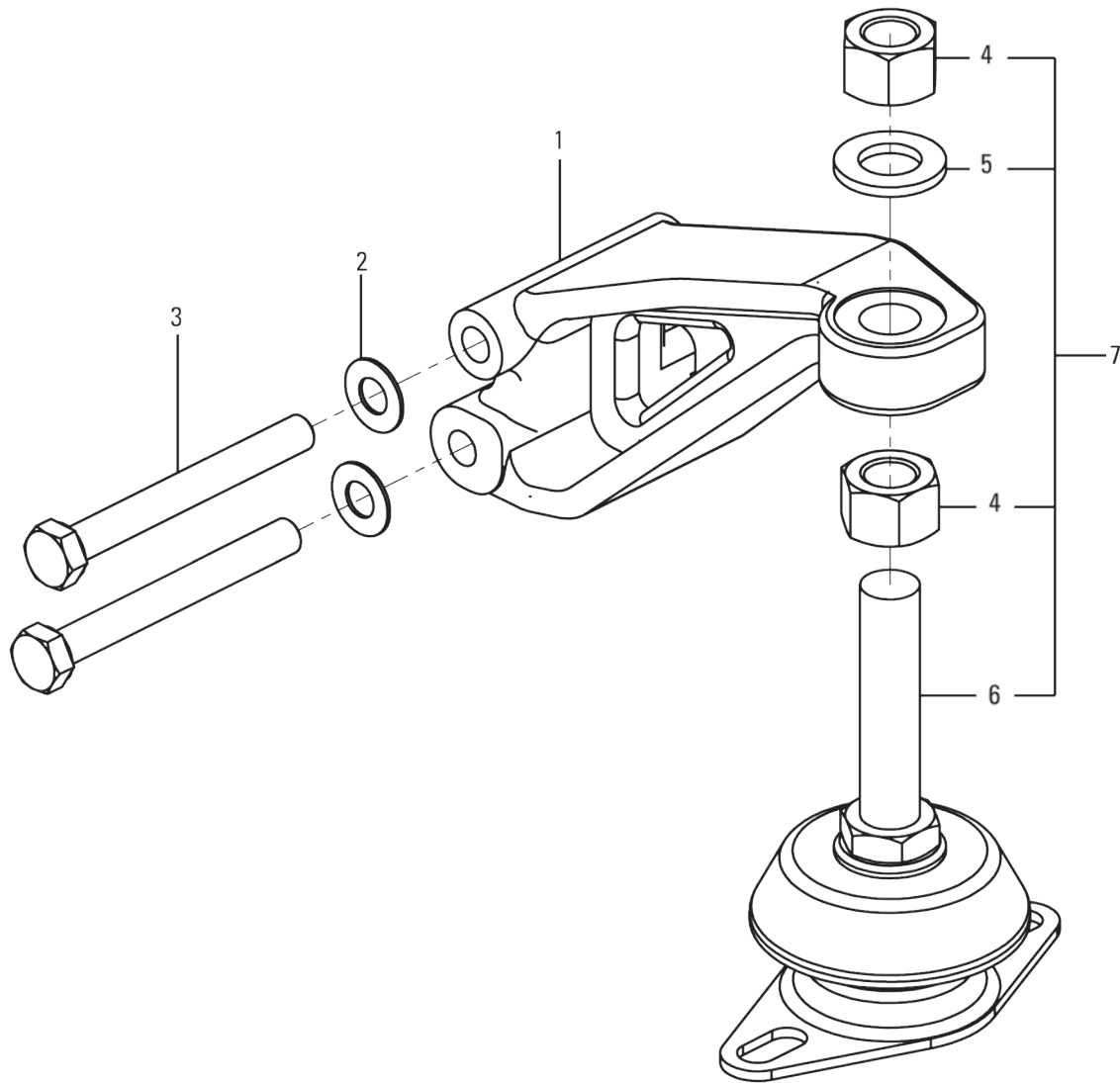
MITSUBISHI PARTS

ELECTRONICS

1.3 FUEL FILTER



1.4 ENGINE SUPPORT



SPARE PARTS

CM3.27



1.5 HEAT EXCHANGE

Pos.	Qty	Part	Description	Comment
1	1	AA.300.90005	HEATEXCHANGER HOUSING ASSY	
2	1	AA.200.90008	FILLER CAP 0.5BAR	
3	2	AA.300.90084	O-RING 66X3	
4	1	AA.200.90007	COVER	
5	1	AA.300.90051	TUBE STACK	
6	1	AA.200.90006	COVER	
7	2	AA.300.90085	BOLT M8X35	
8	1	AA.300.90052	HEATEXCHANGER HOUSING	
9	1	AA.300.90086	SEAL WASHER M14	
10		AA.300.90053	PLUG M14X1.5	
11	9	AA.300.90068	WASHER M8	
12	6	AA.300.90088	BOLT M8X115	
13	1	AA.300.90054	EXHAUST GASKET	
14	3	AA.300.90089	STUD M8X35	
15	1	AA.250.90029	EXHAUST ELBOW	
16	1	AA.010.90004	THERMOSWITCH 75°C M18x1,5 RAW WATER	
17	1	AA.300.90090	NUT M8	
18	1	AA.300.90054	GASKET	
19	1	AA.300.90057	THERMOSTAAT 76°C	
20	1	AA.200.90028	THERMOSTAT HOUSING	
21	1	AA.300.90069	WASHER M6	
22	1	AA.300.90092	SEAL WASHER M10	
23	2	AA.300.90093	BOLT M6X35	
24	1	AA.300.90094	BOLT M10X1.5X12	
25	1	AA.300.90095	O-RING	
26	1	AA.300.90069	WASHER M6	
27	2	AA.300.90097	SEAL WASHER M8	
28	1	AA.300.90098	SEAL WASHER M18	
29	1	AA.300.90099	MODEL PLATE	
30	1	AA.300.90100	FILLER NECK	
31	1	AA.300.90101	EXHAUST ELBOW GASKET	
32	*	AA.300.90102	HOSE	NOT SHOWN

MARINISATION PARTS

MITSUBISHI PARTS

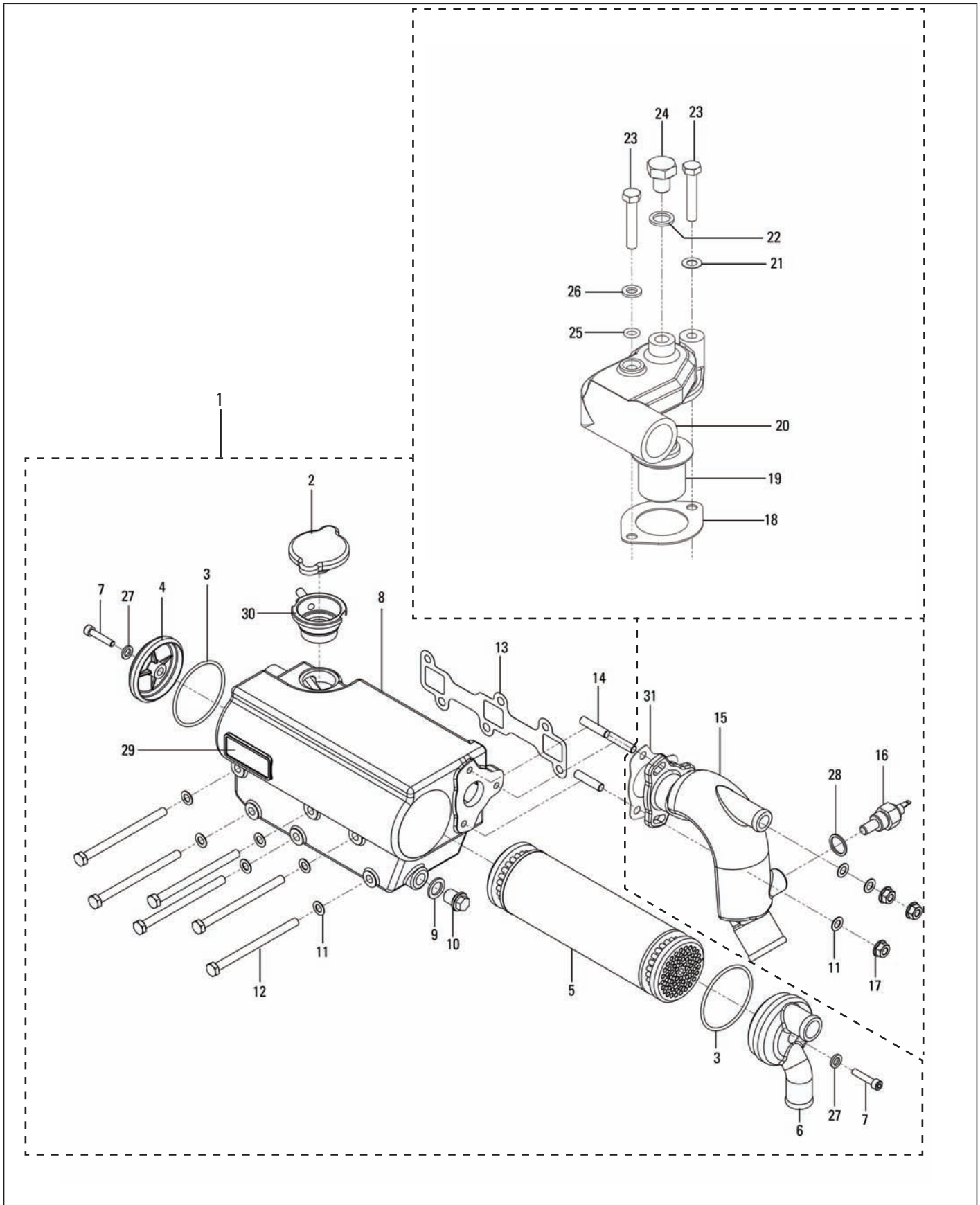
ELECTRONICS

SPARE PARTS

CM3.27

Craftsman
MARINE

1.5 HEAT EXCHANGE



MARINISATION PARTS

MITSUBISHI PARTS

ELECTRONICS

SPARE PARTS

CM3.27



1.6 KEELCOOLER MANIFOLD

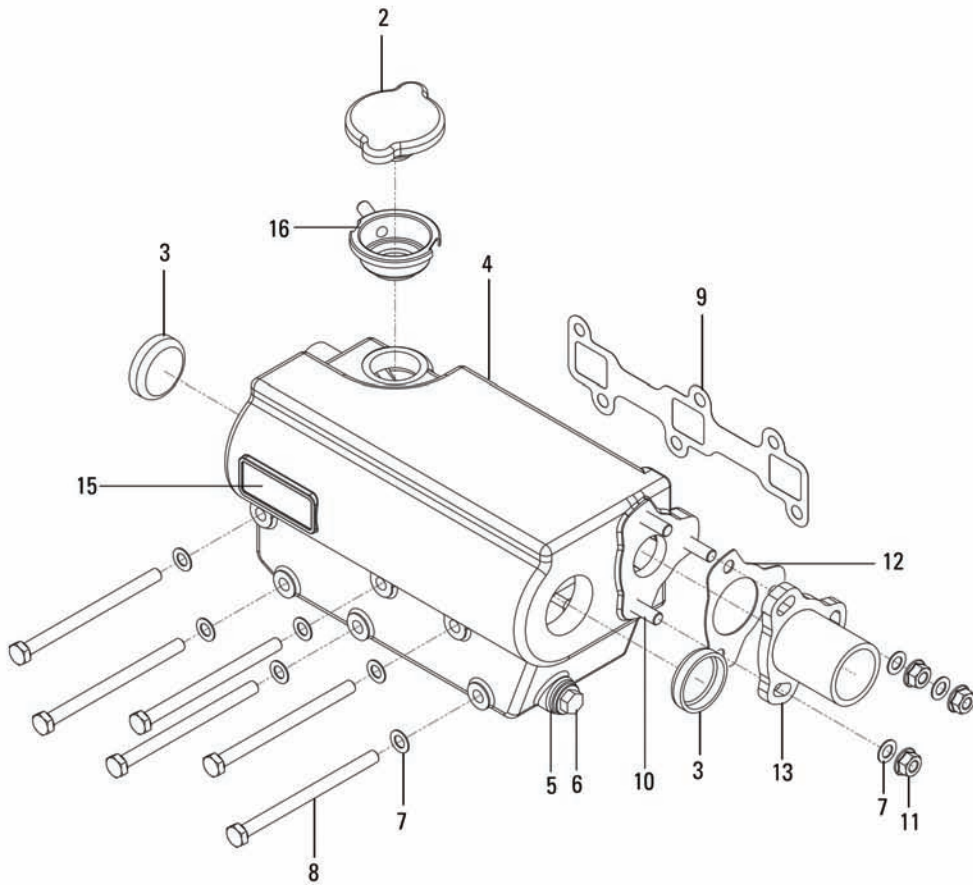
Pos.	Qty	Part	Description	Comment
1	1	AA.301.90006	KEELCOOLER MANIFOLD ASSY	
2	1	AA.200.90008	FILLER CAP 0.5BAR	
3	2	AA.301.90007	END PLUG	
4	1	AA.301.90008	KEELCOOLER MANIFOLD HOUSING	
5	1	AA.300.90086	SEAL WASHER M14	
6	1	AA.300.90104	PLUG M14X1.5	
7	9	AA.300.90068	WASHER M8	
8	6	AA.300.90088	BOLT M8X115	
9	1	AA.300.90054	EXHAUST GASKET	
10	3	AA.300.90089	STUD M8X35	
11	3	AA.300.90090	NUT M8	
12	1	AA.300.90109	EXHAUST ELBOW GASKET	
13	1	AA.301.90009	EXHAUST FLANGE	
14	1	AA.300.90111	BLIND CAP (ONLY IN COMBINATION WITH EXPANSION TANK)	NOT SHOWN
15	1	AA.300.90112	MODEL PLATE	NOT SHOWN
16	1	AA.300.90113	FILLER NECK	
17	*	AA.300.90114	HOSE	NOT SHOWN
18	*	AA.300.90115	EXPANSION TANK	NOT SHOWN

MARINISATION PARTS

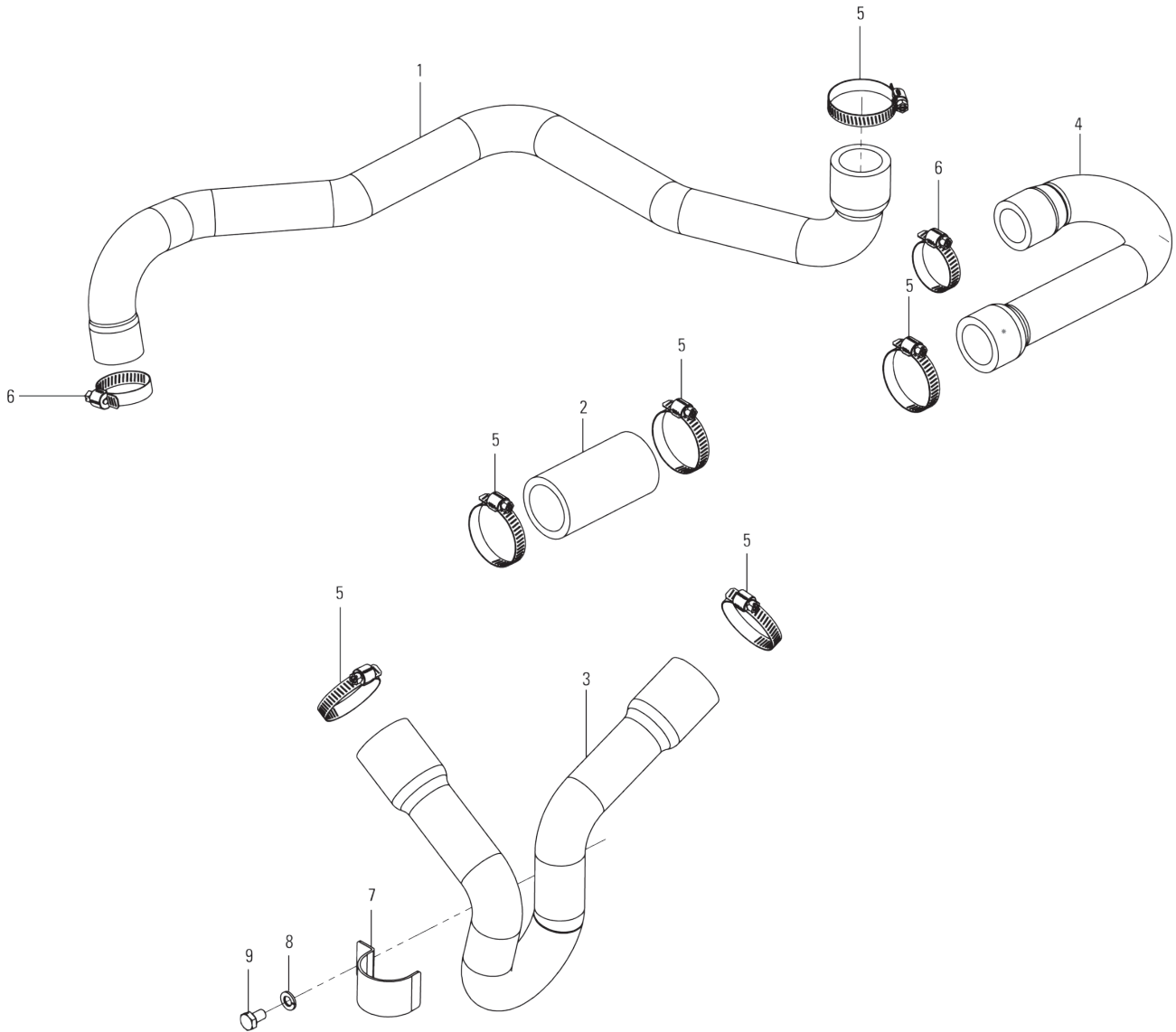
mitsubishi PARTS

ELECTRONICS

1.6 KEELCOOLER MANIFOLD



1.7 HOSES



1.8 RAW WATER PUMP

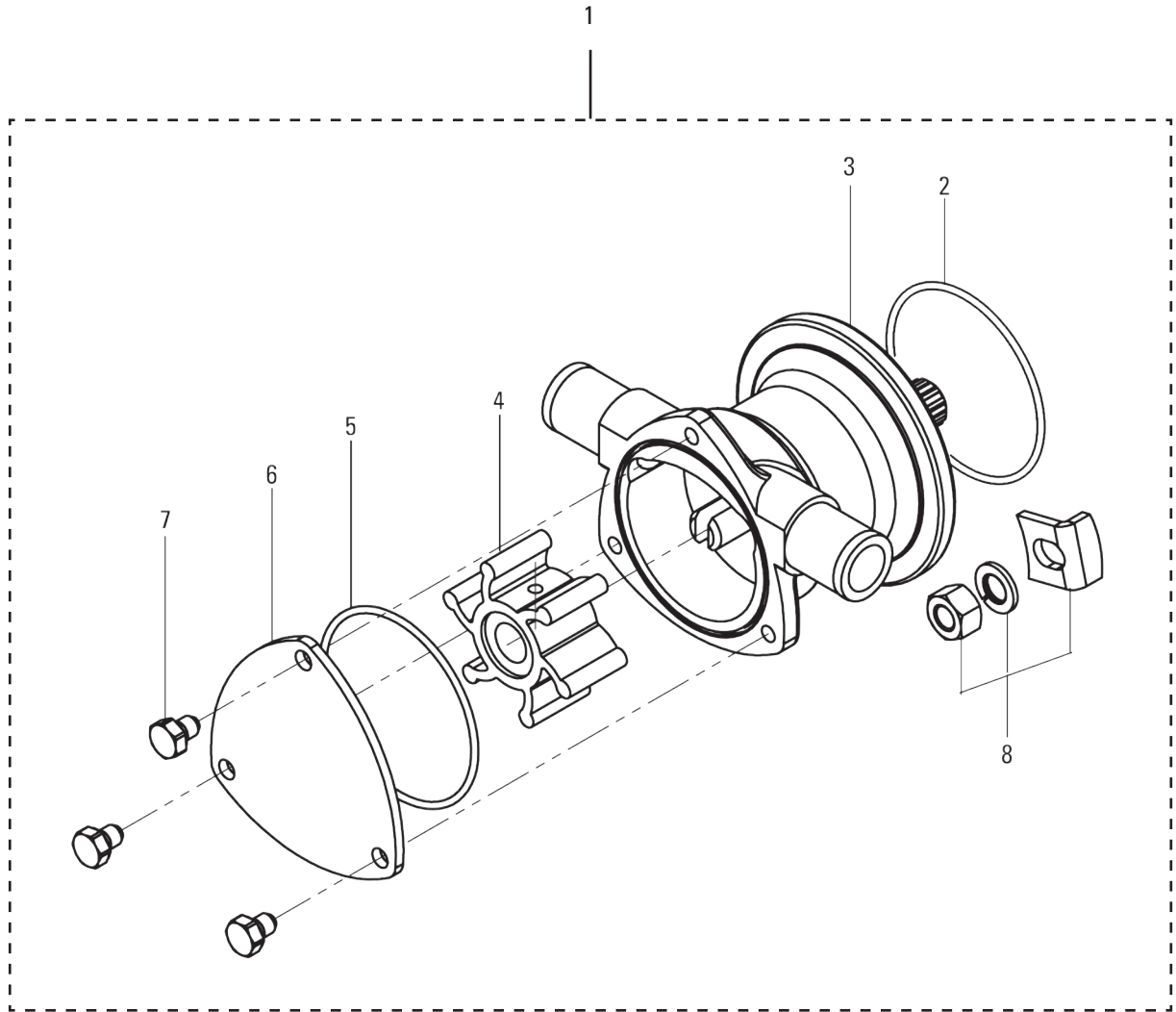
Pos.	Qty	Part	Description	Comment
1	1	AA.300.90020	RAW WATER PUMP COMPLETE	
2	1	AA.200.90030	O-RING	
3	1	AA.300.90120	HOUSING RAW WATER PUMP	
4	1	AA.200.90021	IMPELLER	
5	1	AA.300.90121	O-RING	
6	1	AA.300.90122	END COVER	
7	3	AA.300.90123	BOLT M6x8	
8	4	AA.300.90124	MOUNTING SET	

MARINISATION PARTS

mitsubishi PARTS

ELECTRONICS

1.8 RAW WATER PUMP



SPARE PARTS

CM3.27



1.9 FLYWHEEL HOUSING

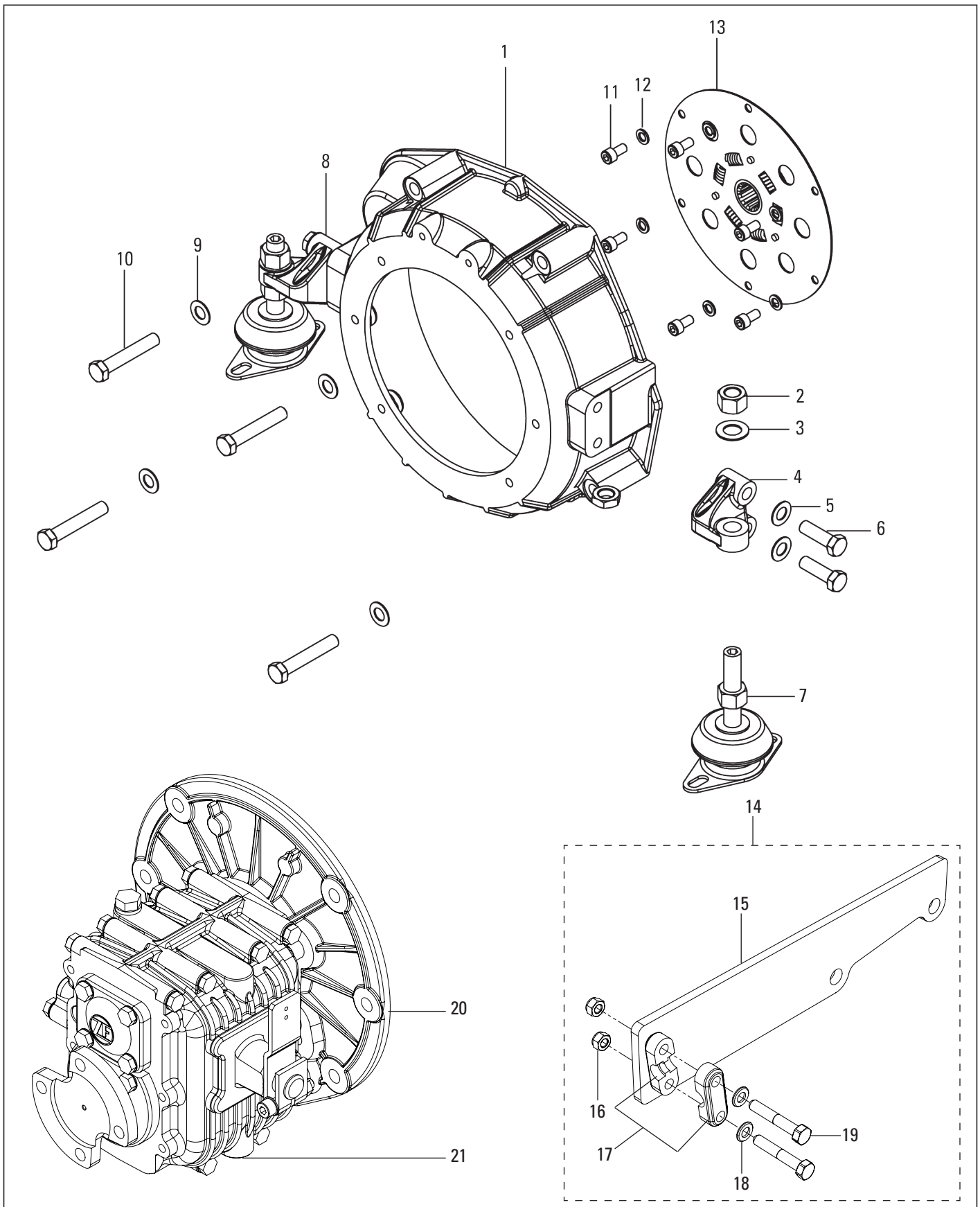
Pos.	Qty	Part	Description	Comment
1	1	AA.300.90062	FLYWHEEL HOUSING	
2	4	AA.300.90082	NUT M16x1.5	
3	2	AA.300.90083	WASHER M16	
4	1	AA.200.90002	ENGINE SUPPORT REAR R/L	
5	4	AA.300.90127	WASHER M12	
6	4	AA.300.90128	BOLT M12X50	
7	2	AA.300.00018	FLEXIBLE ENGINE MOUNTING	
8	1	AA.200.90002	ENGINE SUPPORT REAR R/L	
9	4	AA.300.90127	WASHER M12	
10	4	AA.300.90130	BOLT M12X1.25X70	
11	6	AA.300.90131	HEX SOCKET BOLT M8X16	
12	6	AA.300.90068	WASHER M8	
13	1	AA.300.00030	DAMPERPLATE	
14	1	AA.300.90133	GEAR LEVER ASSY	
15	1	AA.300.90134	GEAR LEVER	
16	2	AA.300.90135	LOCKING NUT M5	
17	1	AA.200.90050	CABLE CLAMP	
18	2	AA.300.90063	WASHER M5	
19	2	AA.300.90062	BOLT M5X25	
20	1	AA.300.90138	FLANGE GEARBOX	
21	1	AA.300.90139	ZF10M GEARBOX 2,05:1	
	1	AA.300.90140	ZF10M GEARBOX 2,72:1	

MARINISATION PARTS

mitsubishi parts

ELECTRONICS

1.9 FLYWHEEL HOUSING



MARINISATION PARTS

MITSUBISHI PARTS

ELECTRONICS

SPARE PARTS

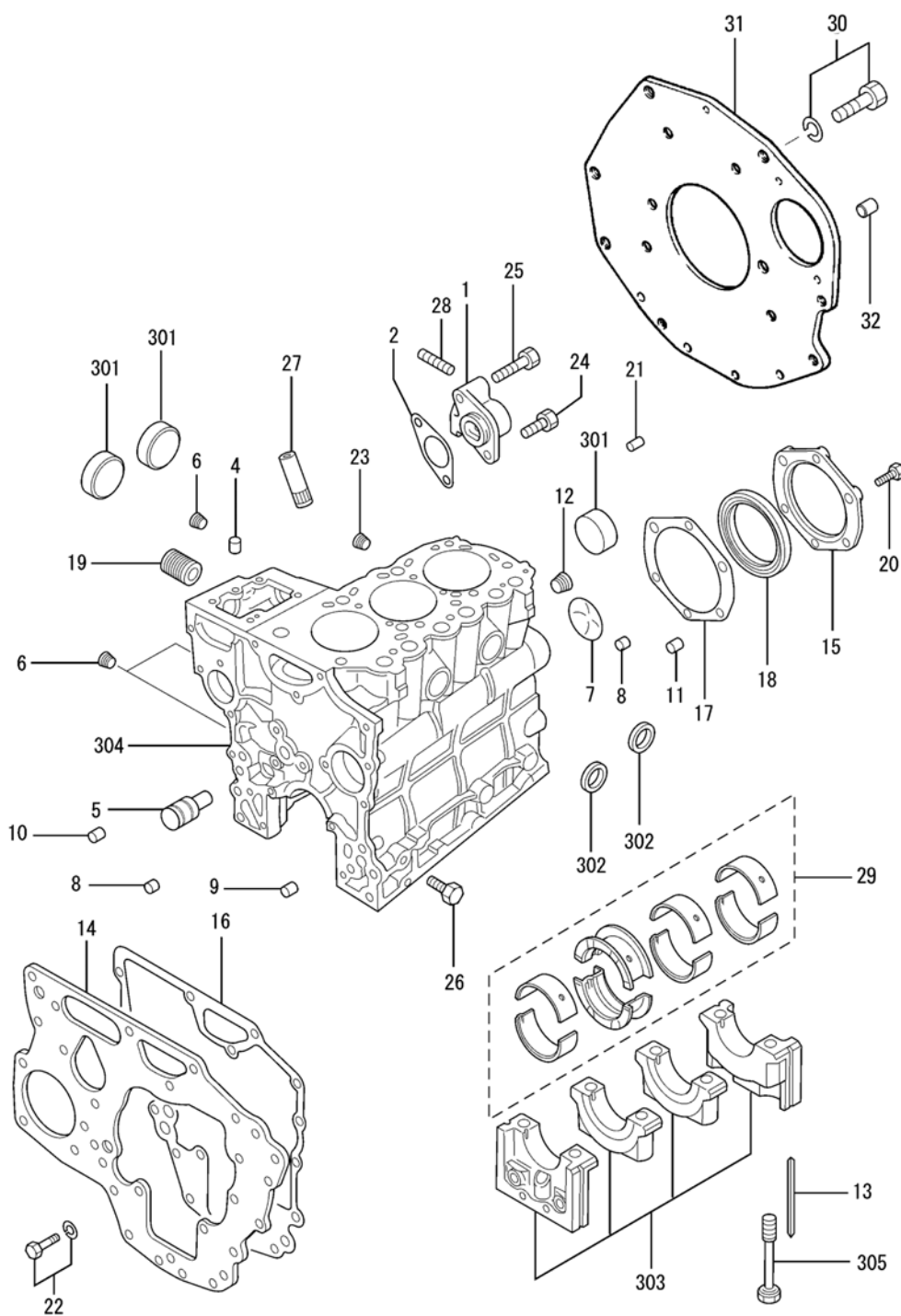
CM3.27



2.1 CRANKCASE

Pos.	Qty	Part	Description	Comment
1	1	AA.300.91008	ADAPTER,FUEL PUMP	
2	1	AA.300.91009	GASKET	
3	1	AA.300.91010	BLOCK SUB ASSY, CYL	
301	3	AA.300.91011	CAP, SEALING	
302	2	AA.300.91012	CAP, SEALING	
303	1		CAP ASSY, METAL	
304	1		BLOCK, CYLINDER	
305	8	AA.300.91013	BOLT, BEARING CAP	
4	2	AA.300.91014	PIN, DOWEL	
5	1	AA.300.91015	SHAFT, IDLER	
6	3	AA.300.91016	PLUG	
7	1	AA.300.91017	PLUG, EXPANSION	
8	2	AA.300.91018	BUSHING, KNOCK	
9	1	AA.300.91019	BUSHING, KNOCK	
10	2	AA.300.91020	BUSHING, KNOCK	
11	3	AA.300.91021	BUSHING, KNOCK	
12	1	AA.300.91022	PLUG, TAPERED	
13	4	AA.300.91023	SEAL, SIDE	
14	1	AA.300.91024	PLATE, FRONT	
15	1	AA.300.91025	CASE, OIL SEAL	
16	1	AA.300.91026	GASKET, FRONT PLATE	
17	1	AA.300.91027	GASKET, OIL SEAL CASE	
18	1	AA.300.91028	SEAL, OIL REAR	
19	1	AA.300.91029	SHAFT, OIL FILTER	
20	6	AA.300.91030	BOLT	
21	1	AA.300.91031	PIN, DOWEL	
22	7	AA.300.91032	BOLT,W/WASHER	
23	1	AA.300.91033	PLUG, TAPERED	
24	1	AA.300.91034	BOLT	
25	1	AA.300.91035	BOLT	
26	4	AA.300.91036	BOLT	
27	1	AA.300.91037	GUIDE, LEVEL GAGE	
28	2	AA.300.91038	STUD	
29	1	AA.300.91039	BEARING SET STD	
	1	AA.300.91040	BEARING SET U.S. 0.25	
	1	AA.300.91041	BEARING SET U.S. 0.50	
30	1	AA.300.91042	BOLT, W/WASHER	
31	6	AA.300.91043	PLATE, REAR	
32	1	AA.300.91044	PIN, KNOCK	

2.1 CRANKCASE



SPARE PARTS

CM3.27

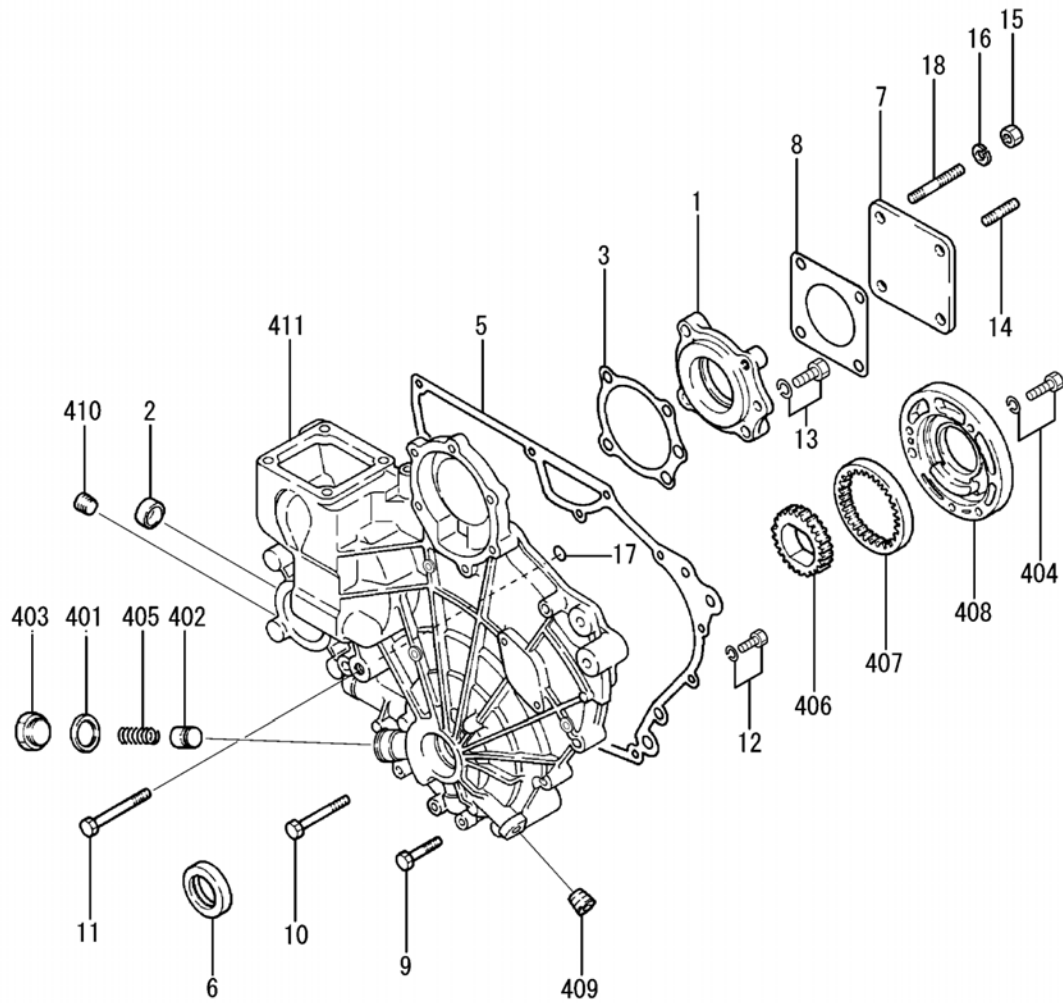


2.2 TIMING GEAR & CASE

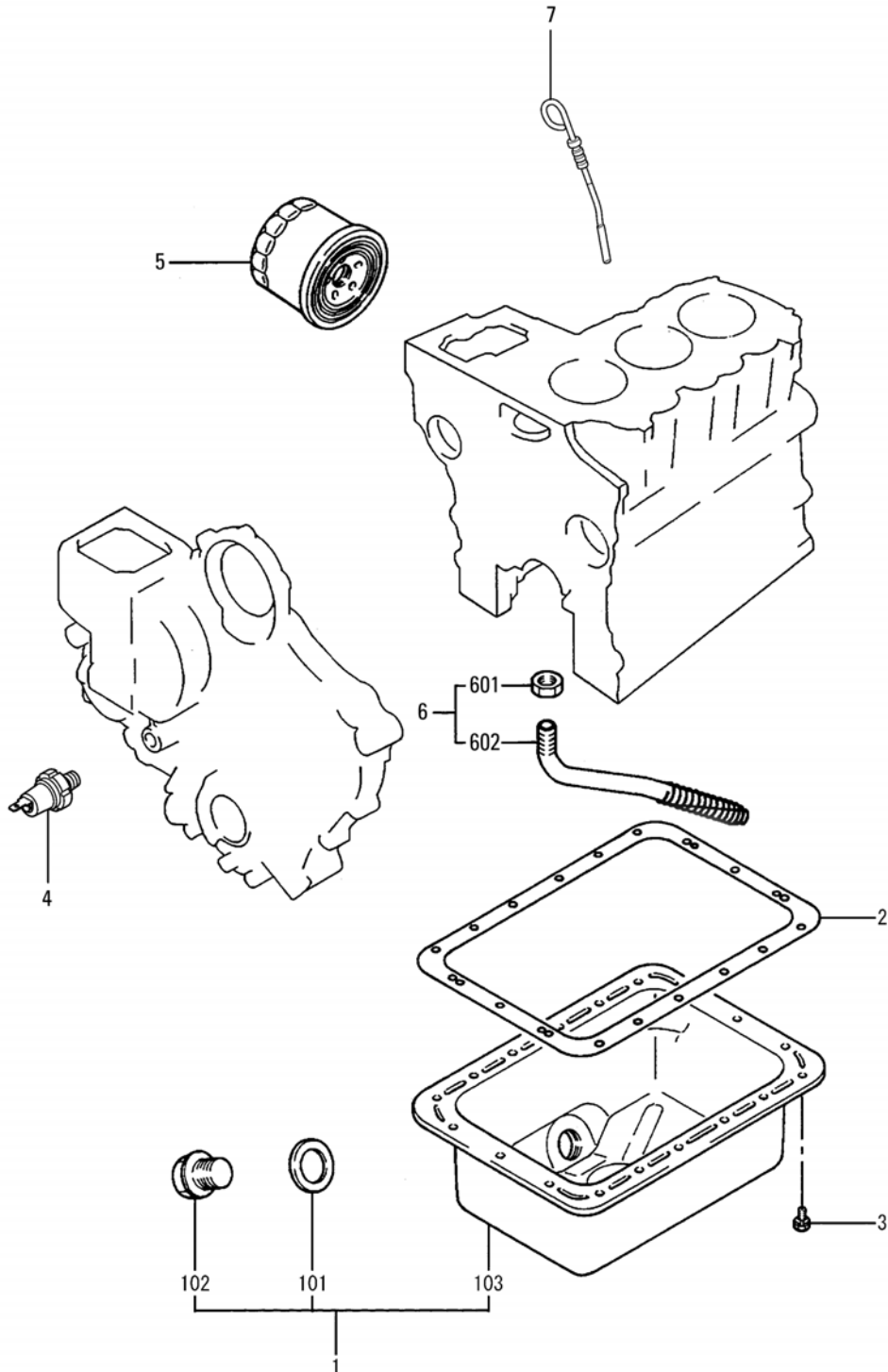
Pos.	Qty	Part	Description	Comment
1	1	AA.300.91045	HOUSING, GEAR PUMP	
2	1	AA.300.91046	CAP, SEALING	
3	1	AA.300.91047	GASKET, HOUSING	
4	1	AA.300.91048	CASE ASSY, GEAR	
401	1	AA.300.91049	GASKET	
402	1	AA.300.91050	PLUNGER, RELIEF	
403	1	AA.300.91051	PLUG, DRAIN	
404	3	AA.300.91052	BOLT, W/WASHER	
405	1	AA.300.91053	SPRING, RELIEF	
406	1	AA.300.91054	GEAR, OIL PUMP INNER Z-24	
407	1	AA.300.91055	GEAR, OIL PUMP OUTER Z-29	
408	1	AA.300.91056	HOUSING, OIL PUMP	
409	1	AA.300.91057	PLUG, TAPERED	
410	1	AA.300.91058	PLUG, TAPERED	
411	1		CASE SUB ASSY, GEAR	
5	1	AA.300.91059	GASKET, GEAR CASE	
6	1	AA.300.91060	SEAL, OIL	
7	1	AA.300.91061	COVER, OIL PUMP SHAFT	
8	1	AA.300.91062	GASKET, O/PUMP COVER	
9	3	AA.300.91063	BOLT	
10	4	AA.300.91064	BOLT	
11	1	AA.300.91065	BOLT	
12	4	AA.300.91032	BOLT, W/WASHER	
13	1	AA.300.91067	BOLT, W/WASHER	
14	1	AA.300.91068	STUD	
15	4	AA.300.91069	NUT	
16	4	AA.300.91070	WASHER, SPRING	
17	2	AA.300.91071	O-RING	
18	3	AA.300.91072	STUD	

MARINISATION PARTS
MITSUBISHI PARTS
ELECTRONICS

2.2 TIMING GEAR & CASE



2.3 OIL SUMP



SPARE PARTS

CM3.27



2.4 CYLINDER HEAD

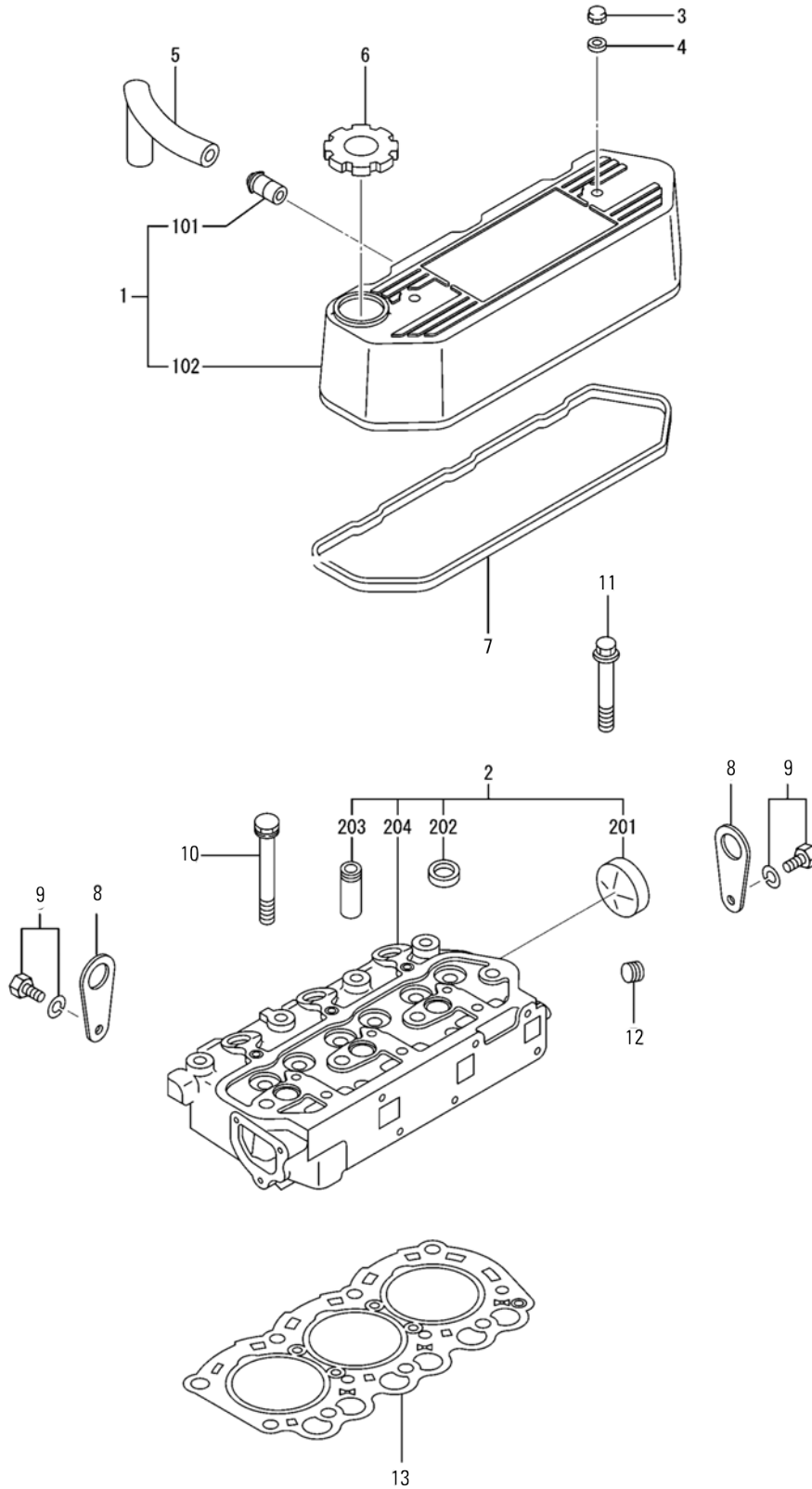
Pos.	Qty	Part	Description	Comment
1	1	AA.300.91082	COVER ASSY, ROCKER	
101	1		PIPE	
102	1		COVER, ROCKER	
2	1	AA.300.91083	HEAD ASSY, CYLINDER	
201	1	AA.300.91011	CAP, SEALING	
202	3	AA.300.91085	CAP, SEALING	
203	6	AA.300.91086	GUIDE, VALVE	
204	1		HEAD, CYLINDER	
3	2	AA.300.91087	NUT, CAP	
4	2	AA.300.91088	WASHER, PLAIN	
5	1	AA.300.91089	HOSE, BREATHER	
6	1	AA.300.90009	CAP, FILLER	
7	1	AA.300.91091	GASKET, ROCKER COVER	
8	2	AA.300.91092	HANGER, ENGINE	
9	2	AA.300.91093	BOLT, W/WASHER	
10	8	AA.300.91094	BOLT, CYLINDER HEAD	
11	3	AA.300.91095	BOLT, FLANGE	
12	1	AA.300.91058	PLUG, TAPERED	
13	1	AA.300.91097	GASKET, CYLINDER HEAD	

MARINISATION PARTS

MITSUBISHI PARTS

ELECTRONICS

2.4 CYLINDER HEAD



SPARE PARTS

CM3.27



2.5 CRANKSHAFT & FLYWHEEL

Pos.	Qty	Part	Description	Comment
1	3	AA.300.91098	RING SET, PISTON STD	
2	3	AA.300.91099	RING SET, PISTON O.S 0.25	
3	3	AA.300.91100	RING SET, PISTON O.S 0.50	
4	3	AA.300.91101	PISTON & PIN SET STD	
5	3	AA.300.91102	PISTON & PIN SET O.S 0.25	
6	3	AA.300.91103	PISTON & PIN SET O.S 0.50	
7	3	AA.300.91104	ROD ASSY, CONNECTING	
701	6	AA.300.91105	NUT, CONNECTING ROD	
702	6	AA.300.91106	BOLT, CONNECTING ROD	
703	3		CONNECTING ROD	
704	3		CAP, CONNECTING ROD	
8	3	AA.300.91107	BEARING SET, CON-ROD STD	
9	3	AA.300.91108	BEARING SET, CON-ROD U.S 0.25	
10	3	AA.300.91109	BEARING SET, CON-ROD U.S 0.50	
11	1	AA.300.91110	CRANKSHAFT	
12	1	AA.300.91111	PULLEY, CRANKSHAFT	
13	1	AA.300.91112	GEAR, CRANKSHAFT Z=26	
14	1	AA.300.91113	NUT, JAM	
15	1	AA.300.91114	WASHER, PLAIN	
16	1	AA.300.91115	WASHER, SPRING	
17	2	AA.300.91116	KEY, WOODRUFF	
18	4		BOLT, FLYWHEEL	
19	1	AA.300.91117	FLYWHEEL ASSY	
191	1	AA.300.91118	GEAR, RING Z=106	
192	1		FLYWHEEL	

MARINISATION PARTS

MITSUBISHI PARTS

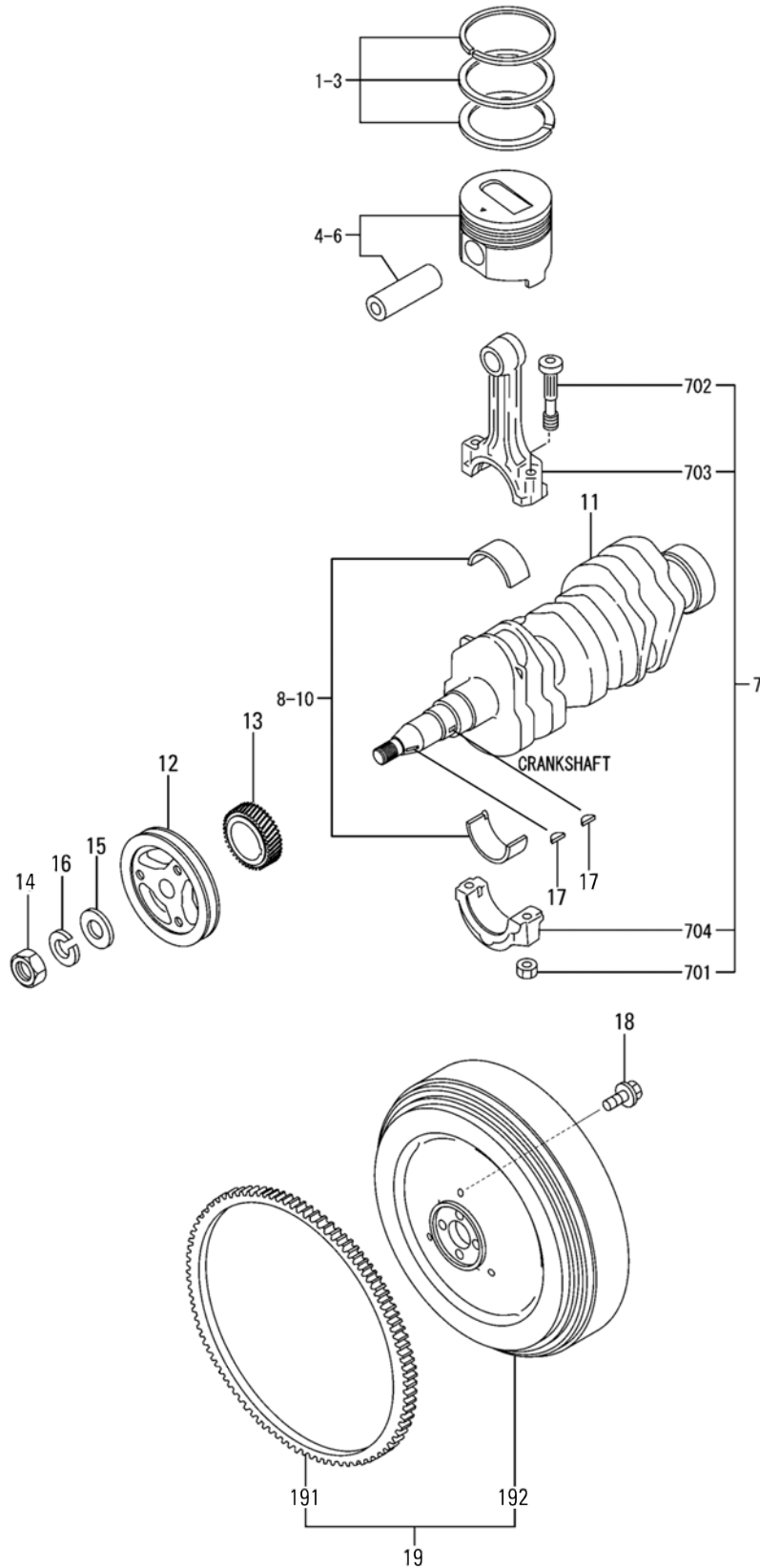
ELECTRONICS

SPARE PARTS

CM3.27

Craftsman
MARINE

2.5 CRANKSHAFT & FLYWHEEL

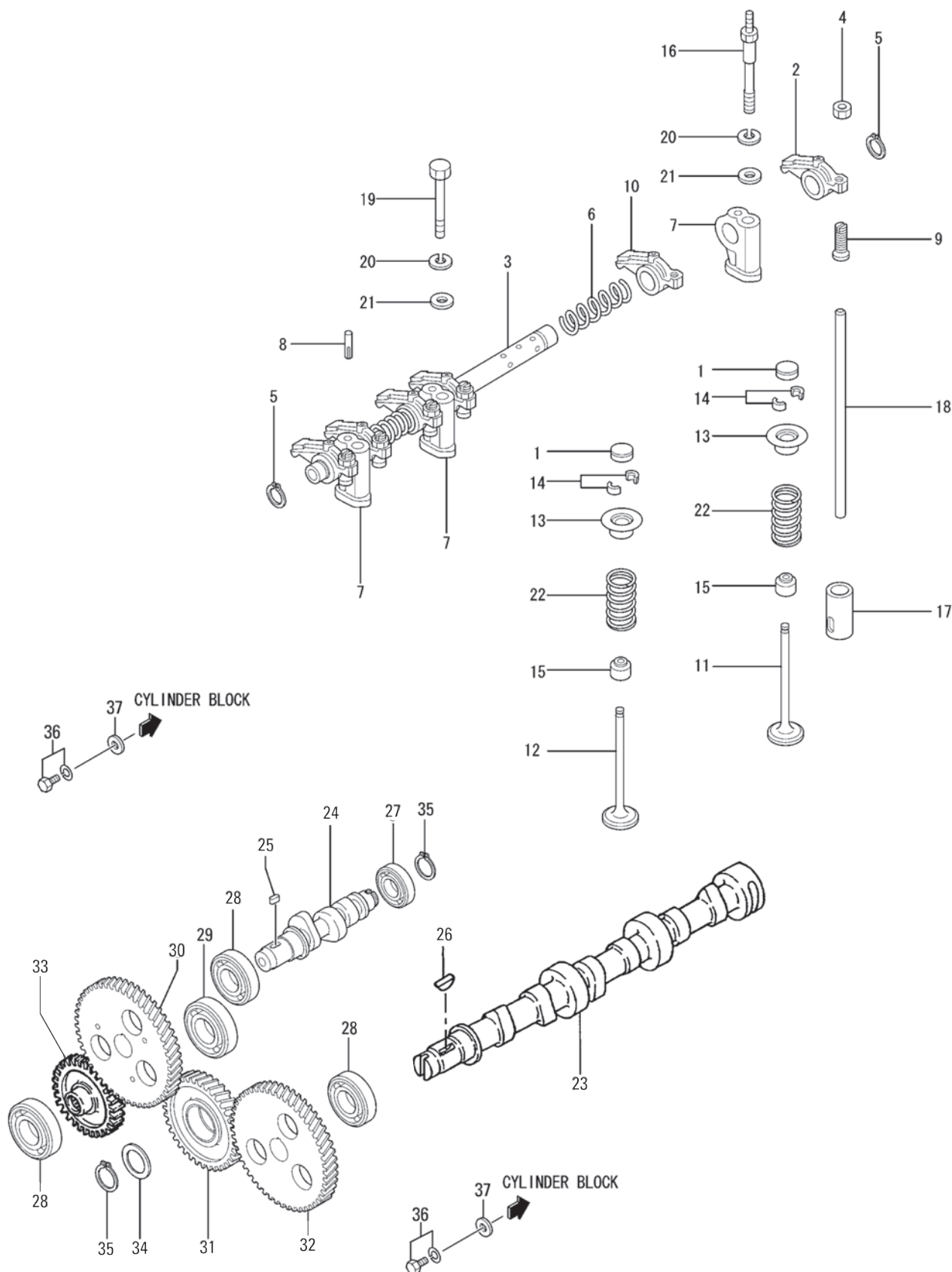


MARINISATION PARTS

MITSUBISHI PARTS

ELECTRONICS

2.6 CAMSHAFT & VALVE DRIVE



MARINISATION PARTS

MITSUBISHI PARTS

ELECTRONICS

SPARE PARTS

CM3.27



2.7 GASKET KIT

Pos.	Qty	Part	Description	Comment
1	1	AA.300.91156	GASKET KIT	
101	2	AA.300.91049	GASKET	
102	3	AA.300.91211	GASKET, FUEL RETURN	
103	3	AA.300.91204	GASKET, HOLDER	
104	6	AA.300.91133	SEAL, VALVE STEM	
105	2	AA.300.91161	O-RING	NOT SHOWN
106	1	AA.300.91162	O-RING, FILTER CUP	NOT SHOWN
107	1	AA.300.91163	O-RING, ELEMENT	NOT SHOWN
108	1	AA.300.91006	GASKET, FUEL PUMP	
109	1	AA.300.91187	GASKET, THERMOSTAT	
110	4	AA.300.91023	SEAL, SIDE	
111	1	AA.300.91062	GASKET, O/PUMP COVER	
112	1	AA.300.91168	GASKET	NOT SHOWN
113	1	AA.300.91097	GASKET, CYLINDER HEAD	
114	1	AA.300.91009	GASKET	
115	1	AA.300.91027	GASKET, OIL SEAL CASE	
116	1	AA.300.91026	GASKET, FRONT PLATE	
117	1	AA.300.91047	GASKET, HOUSING	
118	1	AA.300.91059	GASKET, GEAR CASE	
119	1	AA.300.91076	GASKET, OIL PAN	
120	1	AA.300.91003	GASKET, INTAKE MANF	
121	1	AA.300.91196	GASKET, WATER PUMP	
122	1	AA.300.91188	GASKET, THERMO FITT	
123	1	AA.300.91287	GASKET, GOV COVER	
124	1	AA.300.91283	GASKET, TIE-ROD COVER	
125	1	AA.300.91181	GASKET	NOT SHOWN
126	1	AA.300.90054	GASKET, EXHAUST	
127	1	AA.300.91091	GASKET, ROCKER	
128	1	AA.300.91184	GASKET, INTAKE	NOT SHOWN

MARINISATION PARTS

mitsubishi parts

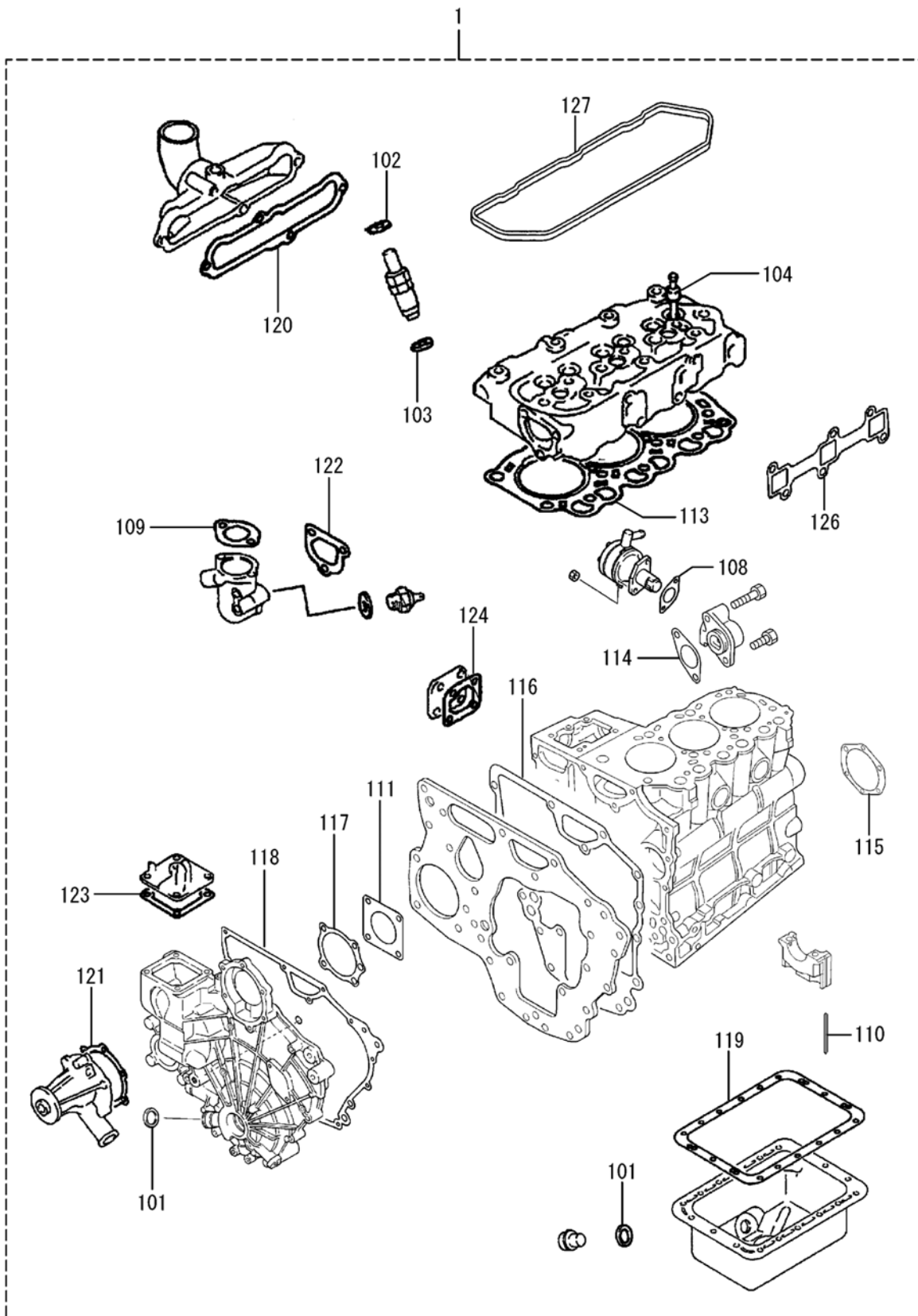
ELECTRONICS

SPARE PARTS

CM3.27

Craftsman
MARINE

2.7 GASKET KIT

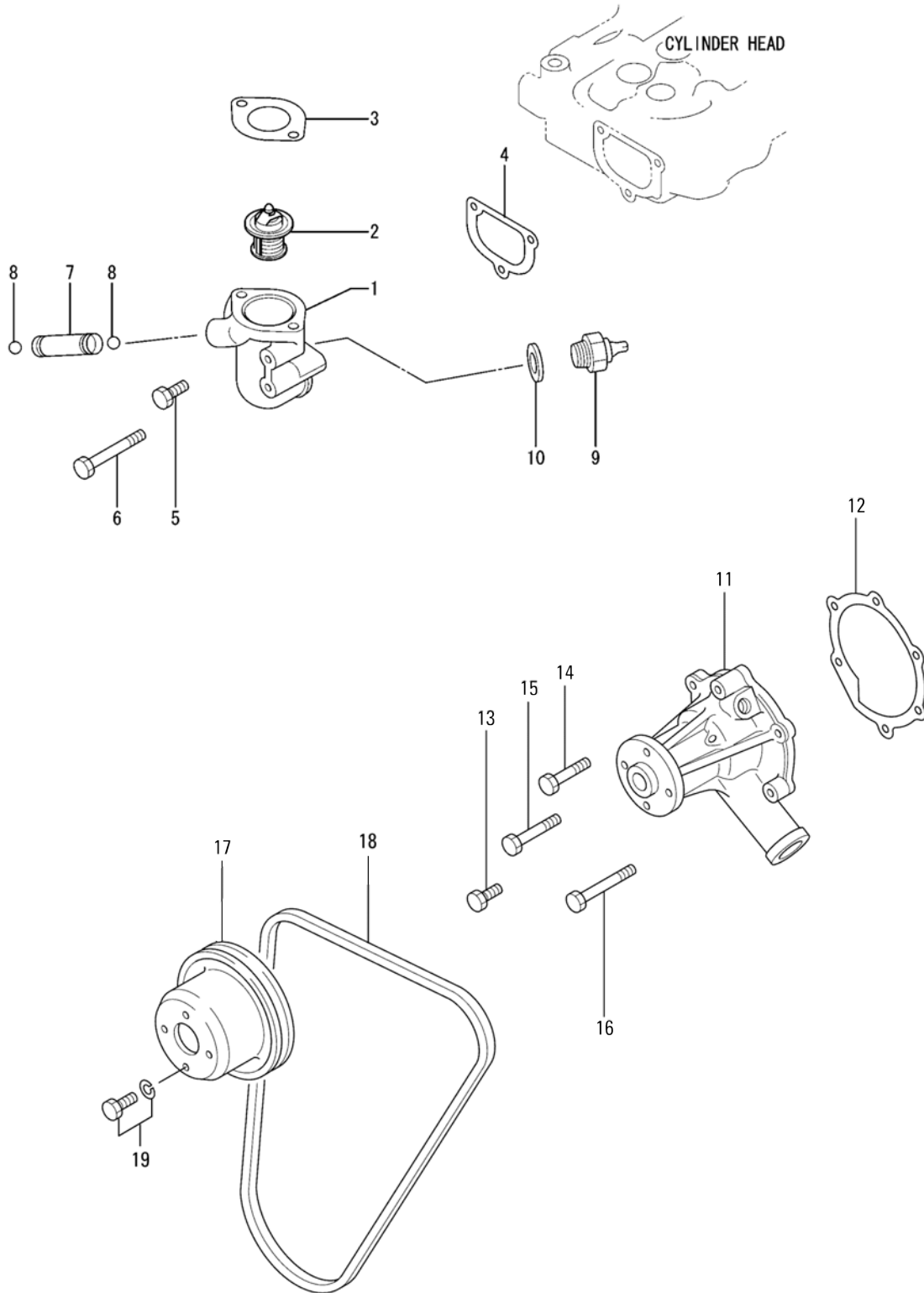


MARINISATION PARTS

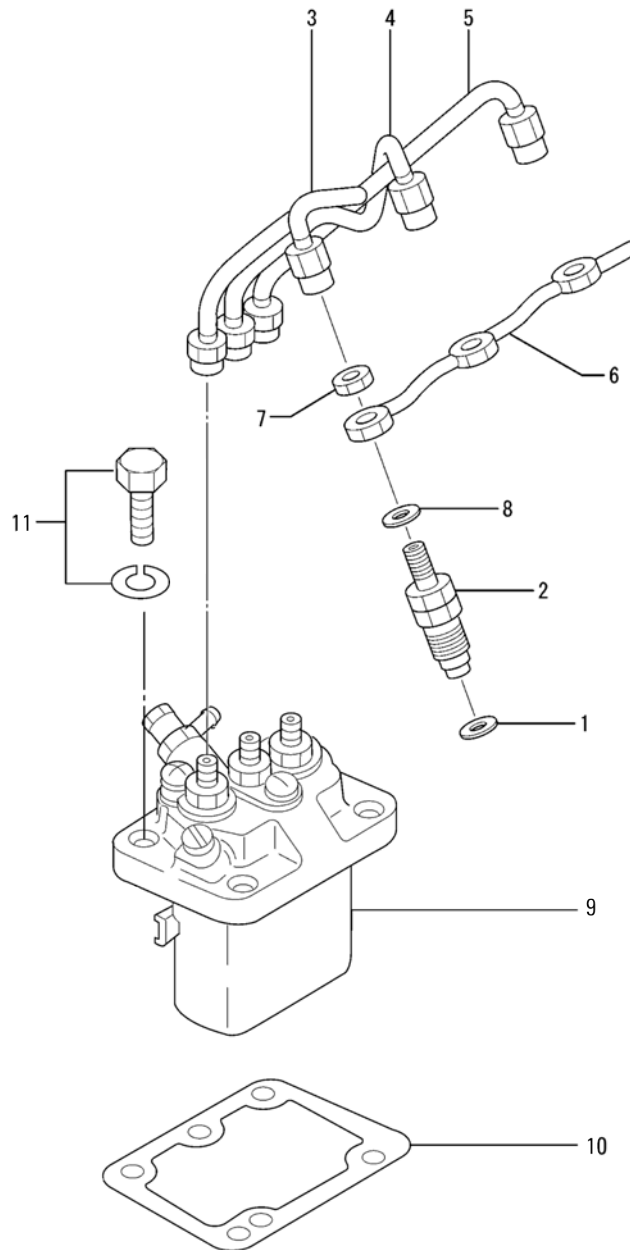
MITSUBISHI PARTS

ELECTRONICS

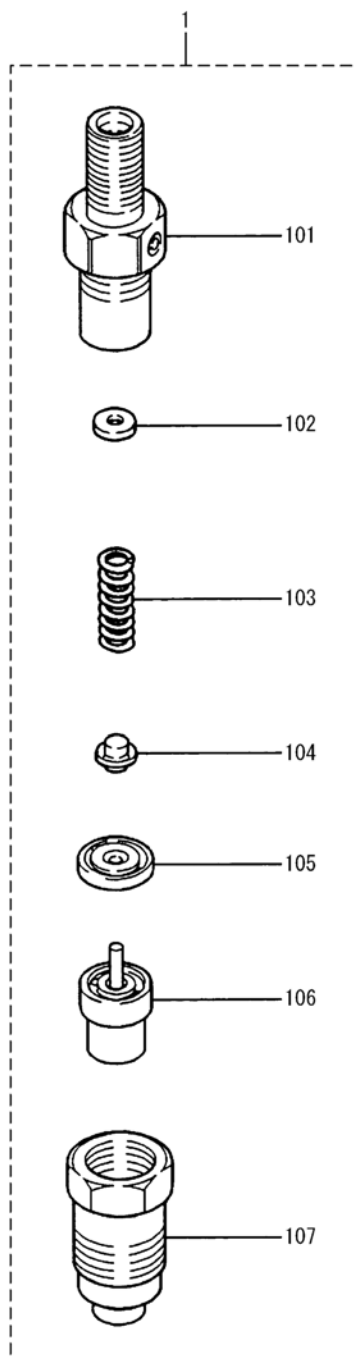
2.8 CIRCULATION PUMP & THERMOSTAT



2.9 FUEL SYSTEM



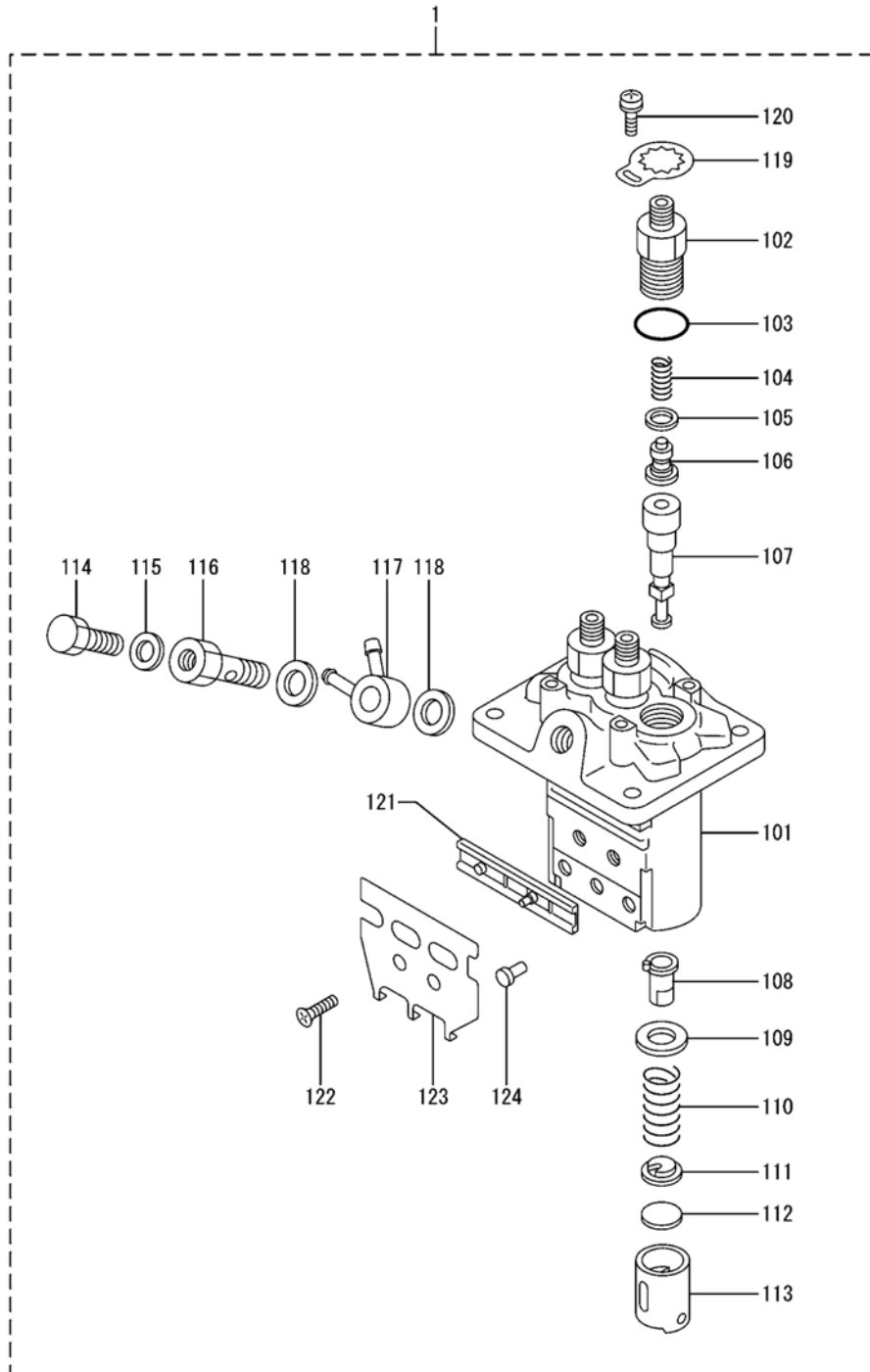
2.10 NOZZLE HOLDER



2.11 FUEL PUMP

Pos.	Qty	Part	Description	Comment
1	1	AA.300.91212	PUMP ASSY, FUEL INJ	
101	1	AA.300.91240	HOUSING SUB ASSY	
102	3	AA.300.91241	HOLDER, DELIVERY	
103	3	AA.300.91242	O-RING	
104	3	AA.300.91243	SPRING, DELIVERY	
105	3	AA.300.91244	GASKET, DELIVERY	
106	3	AA.300.91245	VALVE SUB ASSY	
107	3	AA.300.91246	ELEMENT SUB ASSY	
108	3	AA.300.91247	SLEEVE SUB ASSY	
109	3	AA.300.91248	SEAT, SPRING UPPER	
110	3	AA.300.91249	SPRING, PLUNGER	
111	3	AA.300.91250	SEAT, SPRING LOWER	
112	AR	AA.300.91251	PLATE, TAPPET SHIM T=1.85	
	AR	AA.300.91252	PLATE, TAPPET SHIM T=1.90	
	AR	AA.300.91253	PLATE, TAPPET SHIM T=1.95	
	AR	AA.300.91254	PLATE, TAPPET SHIM T=2.00	
	AR	AA.300.91255	PLATE, TAPPET SHIM T=2.05	
	AR	AA.300.91256	PLATE, TAPPET SHIM T=2.10	
	AR	AA.300.91257	PLATE, TAPPET SHIM T=2.15	
	AR	AA.300.91258	PLATE, TAPPET SHIM T=2.20	
	AR	AA.300.91259	PLATE, TAPPET SHIM T=2.25	
	AR	AA.300.91260	PLATE, TAPPET SHIM T=2.30	
	AR	AA.300.91261	PLATE, TAPPET SHIM T=2.35	
	AR	AA.300.91262	PLATE, TAPPET SHIM T=2.40	
	AR	AA.300.91263	PLATE, TAPPET SHIM T=2.45	
	AR	AA.300.91264	PLATE, TAPPET SHIM T=2.50	
113	3	AA.300.91265	TAPPET SUB ASSY	
114	1	AA.300.91266	SCREW, AIR BLEEDER	
115	1	AA.300.91267	WASHER, DRAIN SCREW	
116	1	AA.300.91268	SCREW, HOLLOW	
117	1	AA.300.91269	NIPPLE, SWIVEL	
118	2	AA.300.91270	WASHER, DRAIN UNION	
119	3	AA.300.91271	PLATE, LOCK	
120	3	AA.300.91272	SCREW, W/WASHER	
121	1	AA.300.91273	RACK ASSY, CONTROL	
122	2	AA.300.91274	SCREW, COUNTERSUNK	
123	1	AA.300.91275	BRACKET, STOP WIRE	
124	3	AA.300.91276	PIN, TAPPET GUIDE	

2.11 FUEL PUMP



2.12 REGULATOR

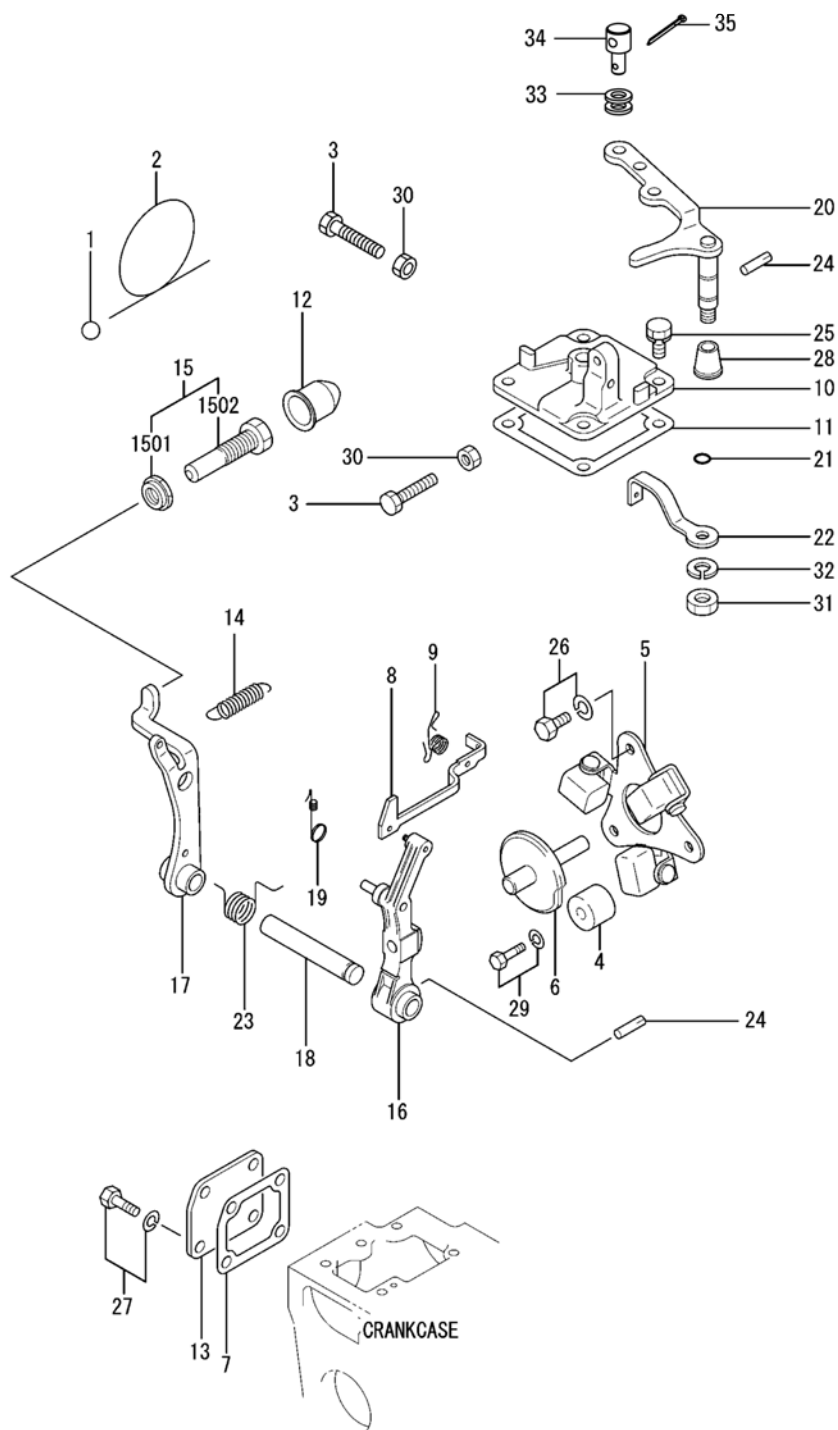
Pos.	Qty	Part	Description	Comment
1	1	AA.300.91277	METAL, FUEL	
2	1	AA.300.91278	WIRE	
3	2	AA.300.91279	BOLT, HIGH SPEED SET	
4	1	AA.300.91280	STOPPER	
5	1	AA.300.91281	WEIGHT ASSY, GOVERNOR	
6	1	AA.300.91282	SHAFT ASSY, SLIDING	
7	1	AA.300.91283	GASKET, TIE-ROD COVER	
8	1	AA.300.91284	TIE-ROD	
9	1	AA.300.91285	SPRING, TIE-ROD	
10	1	AA.300.91286	COVER, GOVERNOR	
11	1	AA.300.91287	GASKET, GOV COVER	
12	1	AA.300.91288	CAP, TORQUE SET	
13	1	AA.300.91289	COVER, TIE-ROD	
14	1	AA.300.91290	SPRING, GOVERNOR	
15	1		SCREW ASSY, RACK SET	
1501	1	AA.300.91291	NUT, TORQUE SET	
1502	1	AA.300.91292	SCREW, RACK SET	
16	1	AA.300.91293	LEVER ASSY, GOVERNOR	
17	1	AA.300.91294	LEVER ASSY, TENSION	
18	1	AA.300.91295	SHAFT, GOVERNOR	
19	1	AA.300.91296	SPRING, TIE-ROD	
20	1	AA.300.91297	LEVER ASSY, SPEED	
21	1	AA.300.91298	O-RING	
22	1	AA.300.91299	LEVER, GOVERNOR	
23	1	AA.300.91300	SPRING, START	
24	2	AA.300.91301	PIN, GROOVED	
25	3	AA.300.91302	BOLT	
26	2	AA.300.91002	BOLT, W/WASHER	
27	3	AA.300.91032	BOLT, W/WASHER	
28	1	AA.300.91305	COVER, GOVERNOR SHAFT	
29	1	AA.300.91306	BOLT, W/WASHER	
30	2	AA.300.91007	NUT	
31	1	AA.300.91308	NUT, JAM	
32	1	AA.300.91070	WASHER, SPRING	
33	2	AA.300.90069	WASHER M6	
34	1	AA.200.90051	NIPPLE	
35	1	AA.300.90142	SPLIT PIN 2X25	

MARINISATION PARTS

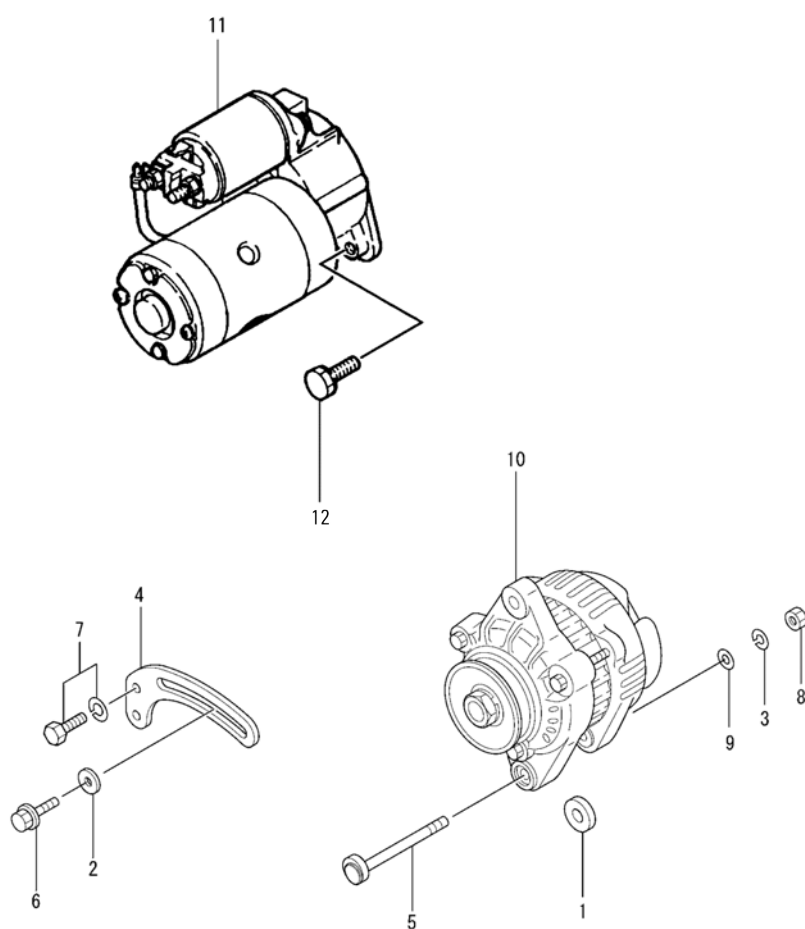
mitsubishi parts

ELECTRONICS

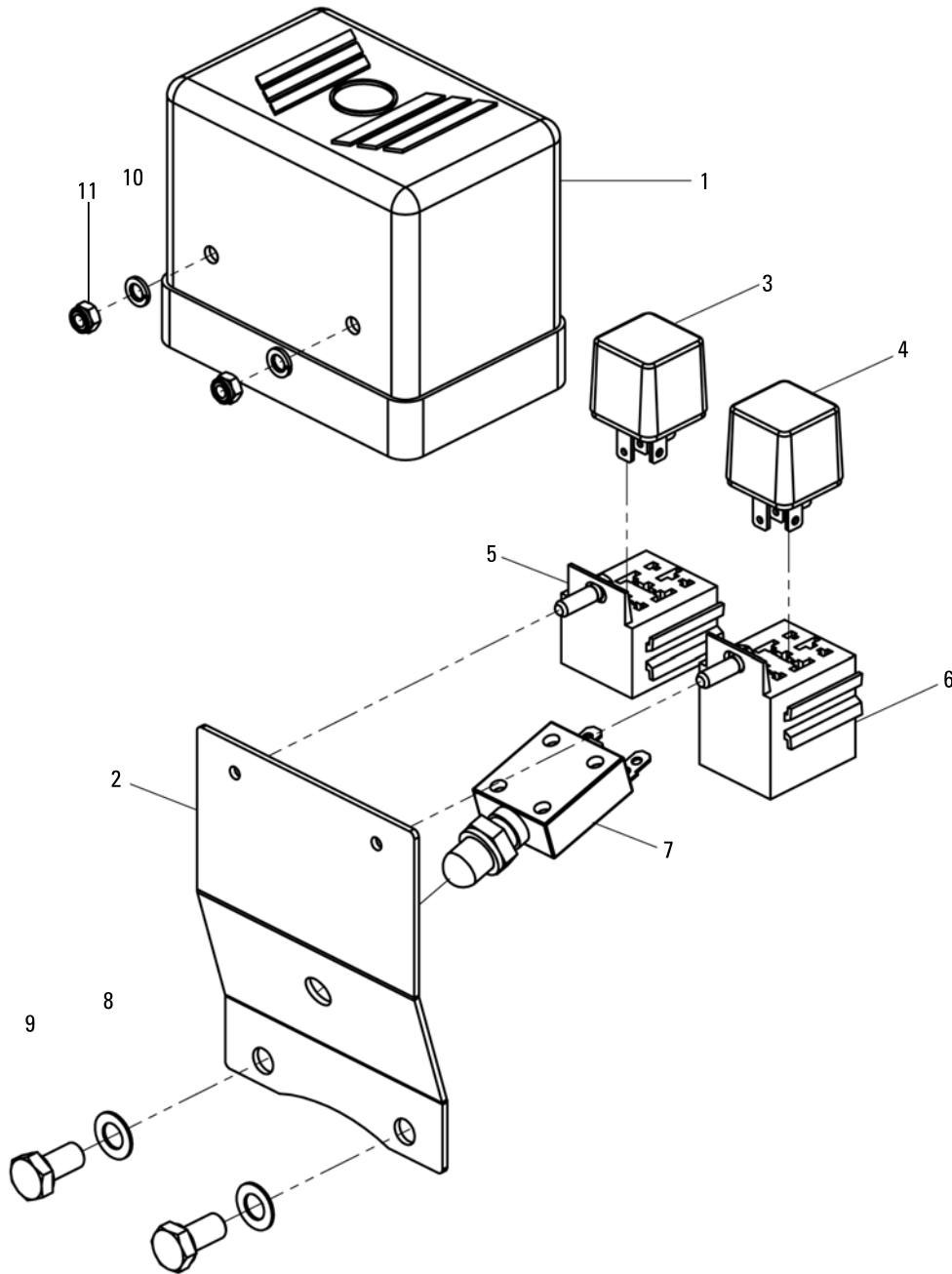
2.12 REGULATOR



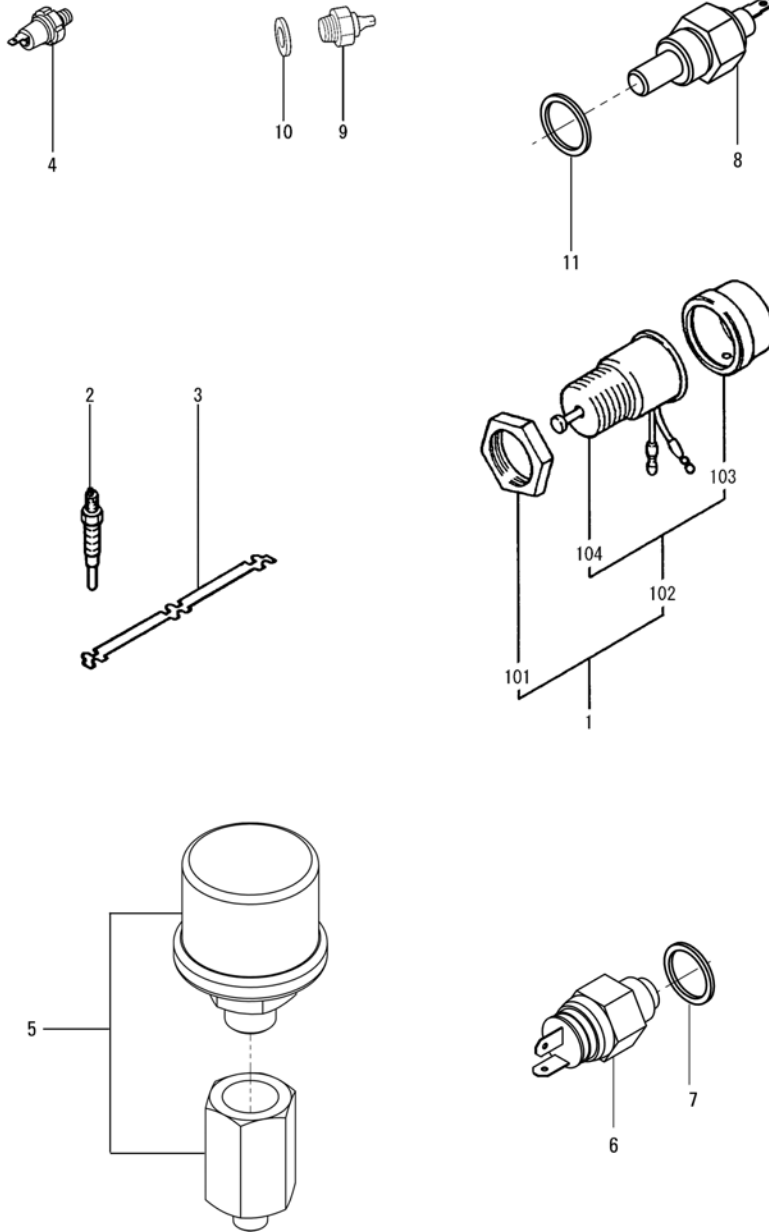
3.1 ALTERNATOR & STARTER



3.2 TERMINAL BOX



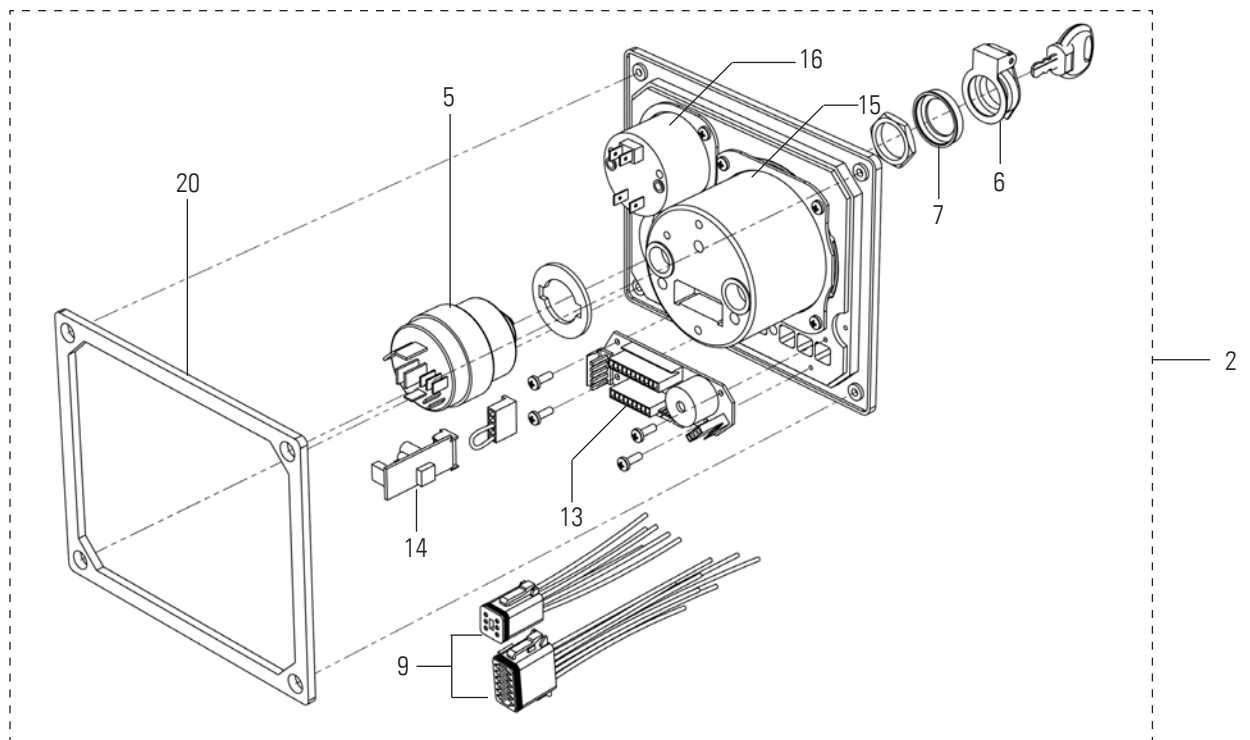
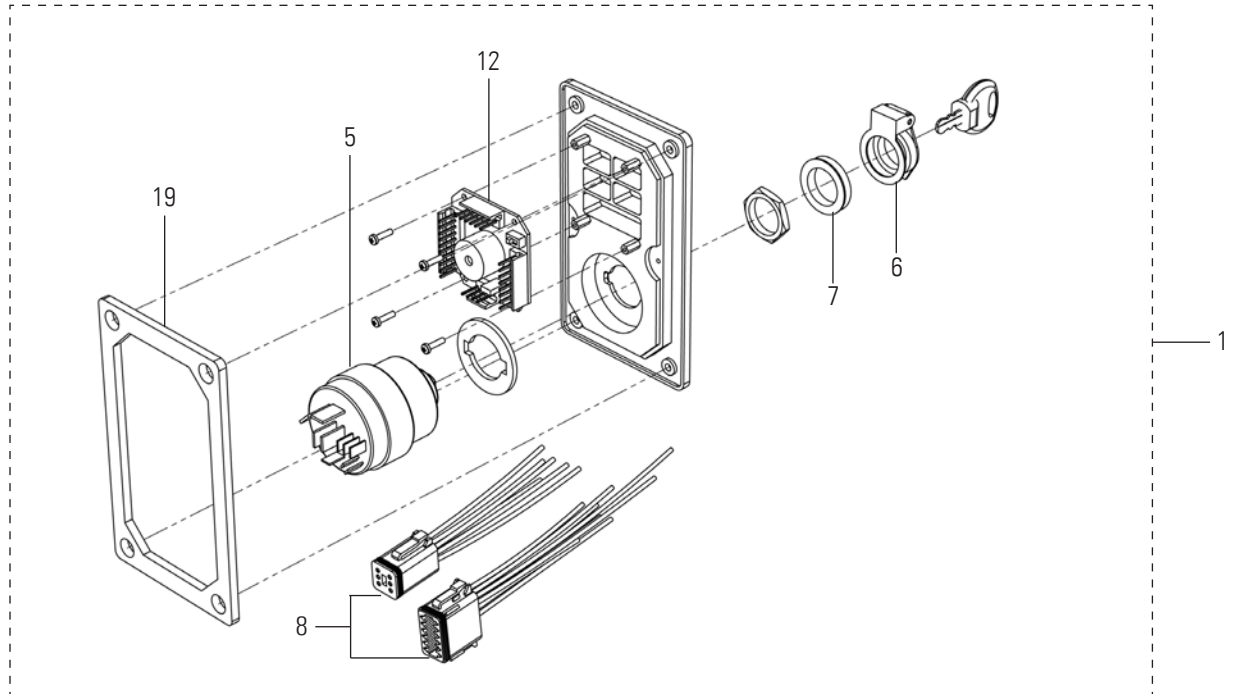
3.3 SENSORS



3.4 INSTRUMENT PANEL

Pos.	Qty	Part	Description	Comment
1	1	AB.010.20000	ALFA 10E ENGINE PANEL COMPLETE	
2	1	AB.020.20000	ALFA 20E ENGINE PANEL COMPLETE	
3	1	AB.030.20000	ALFA 30E ENGINE PANEL COMPLETE	
4	1	AB.040.20000	ALFA 40E ENGINE PANEL COMPLETE	
5	1	AB.010.90001	IGNITION SWITCH COMPLETE	
6	1	AB.010.90002	DUSTCOVER	
7	1	AB.010.90003	CAP	
8	1	AB.010.00002	WIRING LOOM ALFA 10E	
9	1	AB.020.00002	WIRING LOOM ALFA 20E	
10	1	AB.030.00002	WIRING LOOM ALFA 30E	
11	1	AB.040.00002	WIRING LOOM ALFA 40E	NOT SHOWN
12	1	AB.010.00003	PCB ALFA 10E	
13	1	AB.020.00003	PCB ALFA 20E/ALFA 30E/ALFA 40E	
14	1	AB.010.00004	DIMMER PCB	
15	1	DB.010.20001	TACHOMETER, BLACK	
		DB.010.21001	TACHOMETER, WHITE	
16	1	DB.010.20004	VOLTMETER, BLACK	
		DB.010.21004	VOLTMETER, WHITE	
17	1	DB.010.20003	TEMPERATURE GAUGE, BLACK	
		DB.010.21003	TEMPERATURE GAUGE, WHITE	
18	1	DB.010.20002	OIL PRESSURE GAUGE, BLACK	
		DB.010.21002	OIL PRESSURE GAUGE, WHITE	
19	1	AB.010.00004	GASKET ALFA 10E	
20	1	AB.020.00004	GASKET ALFA 20E	
21	1	AB.030.00004	GASKET ALFA 30E	
22	1	AB.040.00004	GASKET ALFA 40E	
23	1	AA.300.90149	MOUNTING SET ALFA 10/20/30	NOT SHOWN
24	1	AA.300.90150	MOUNTING SET ALFA 40	
25	1	AA.300.90151	FRONT STICKER ALFA 10	NOT SHOWN
		AA.300.90152	FRONT STICKER ALFA 20	NOT SHOWN
		AA.300.90153	FRONT STICKER ALFA 30	NOT SHOWN
		AA.300.90154	FRONT STICKER ALFA 40	NOT SHOWN
26	1	AA.300.90155	ALUMINIUM FRONT ALFA 40	

3.4 INSTRUMENT PANEL



3.4 INSTRUMENT PANEL

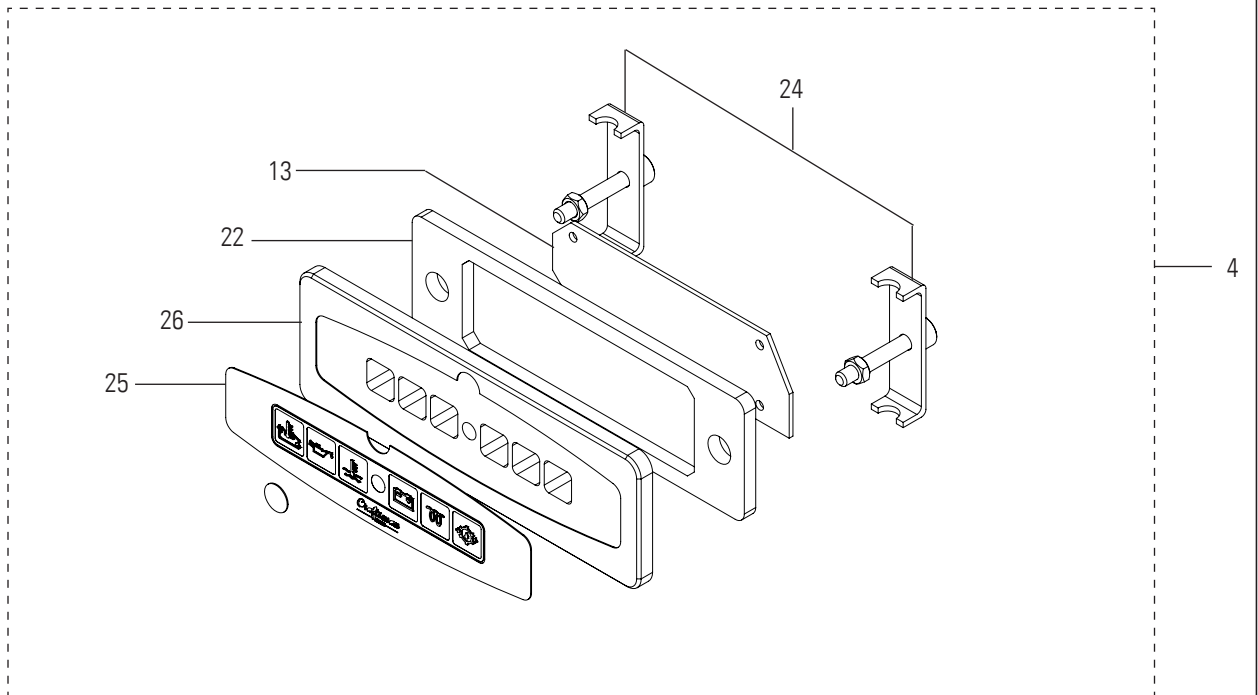
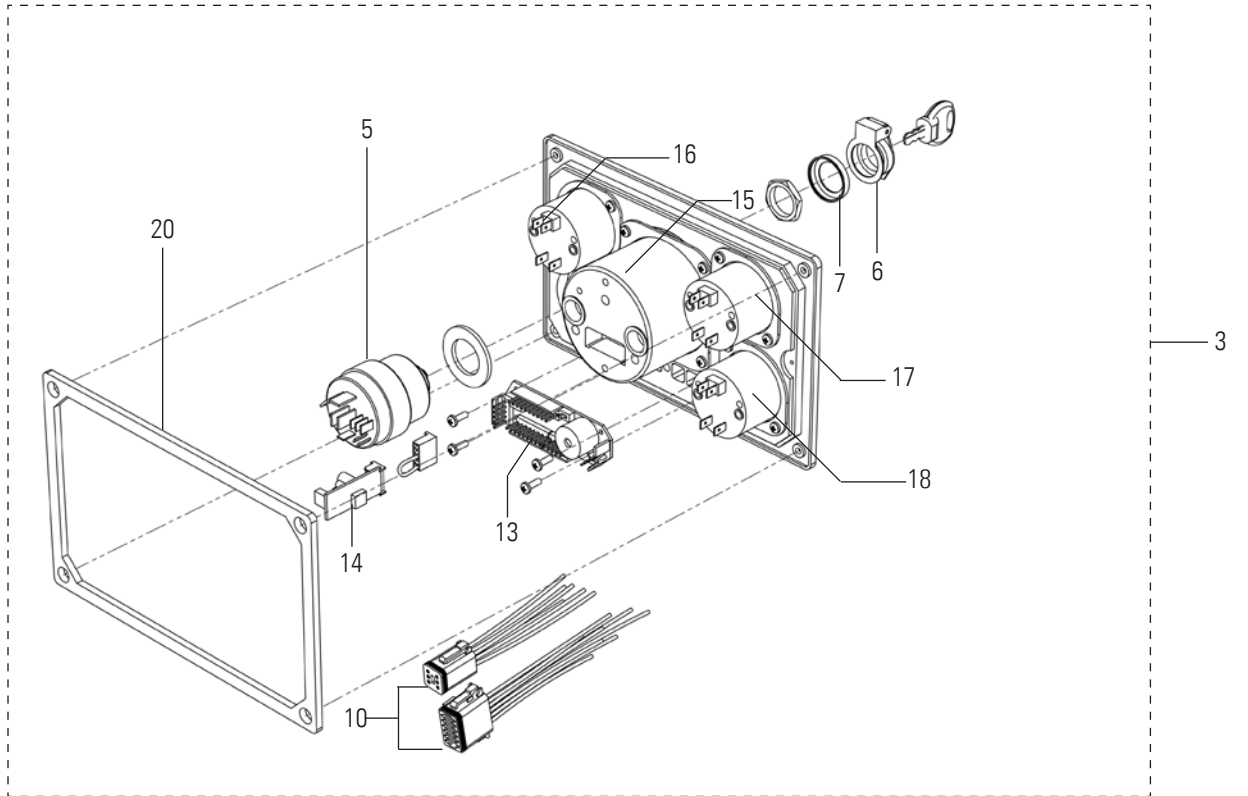
Pos.	Qty	Part	Description	Comment
1	1	AB.010.20000	ALFA 10E ENGINE PANEL COMPLETE	
2	1	AB.020.20000	ALFA 20E ENGINE PANEL COMPLETE	
3	1	AB.030.20000	ALFA 30E ENGINE PANEL COMPLETE	
4	1	AB.040.20000	ALFA 40E ENGINE PANEL COMPLETE	
5	1	AB.010.90001	IGNITION SWITCH COMPLETE	
6	1	AB.010.90002	DUSTCOVER	
7	1	AB.010.90003	CAP	
8	1	AB.010.00002	WIRING LOOM ALFA 10E	
9	1	AB.020.00002	WIRING LOOM ALFA 20E	
10	1	AB.030.00002	WIRING LOOM ALFA 30E	
11	1	AB.040.00002	WIRING LOOM ALFA 40E	NOT SHOWN
12	1	AB.010.00003	PCB ALFA 10E	
13	1	AB.020.00003	PCB ALFA 20E/ALFA 30E/ALFA 40E	
14	1	AB.010.00004	DIMMER PCB	
15	1	DB.010.20001	TACHOMETER, BLACK	
		DB.010.21001	TACHOMETER, WHITE	
16	1	DB.010.20004	VOLTMETER, BLACK	
		DB.010.21004	VOLTMETER, WHITE	
17	1	DB.010.20003	TEMPERATURE GAUGE, BLACK	
		DB.010.21003	TEMPERATURE GAUGE, WHITE	
18	1	DB.010.20002	OIL PRESSURE GAUGE, BLACK	
		DB.010.21002	OIL PRESSURE GAUGE, WHITE	
19	1	AB.010.00004	GASKET ALFA 10E	
20	1	AB.020.00004	GASKET ALFA 20E	
21	1	AB.030.00004	GASKET ALFA 30E	
22	1	AB.040.00004	GASKET ALFA 40E	
23	1	AA.300.90149	MOUNTING SET ALFA 10/20/30	NOT SHOWN
24	1	AA.300.90150	MOUNTING SET ALFA 40	
25	1	AA.300.90151	FRONT STICKER ALFA 10	NOT SHOWN
		AA.300.90152	FRONT STICKER ALFA 20	NOT SHOWN
		AA.300.90153	FRONT STICKER ALFA 30	NOT SHOWN
		AA.300.90154	FRONT STICKER ALFA 40	NOT SHOWN
26	1	AA.300.90155	ALUMINIUM FRONT ALFA 40	

MARINISATION PARTS

MITSUBISHI PARTS

ELECTRONICS

3.4 INSTRUMENT PANEL

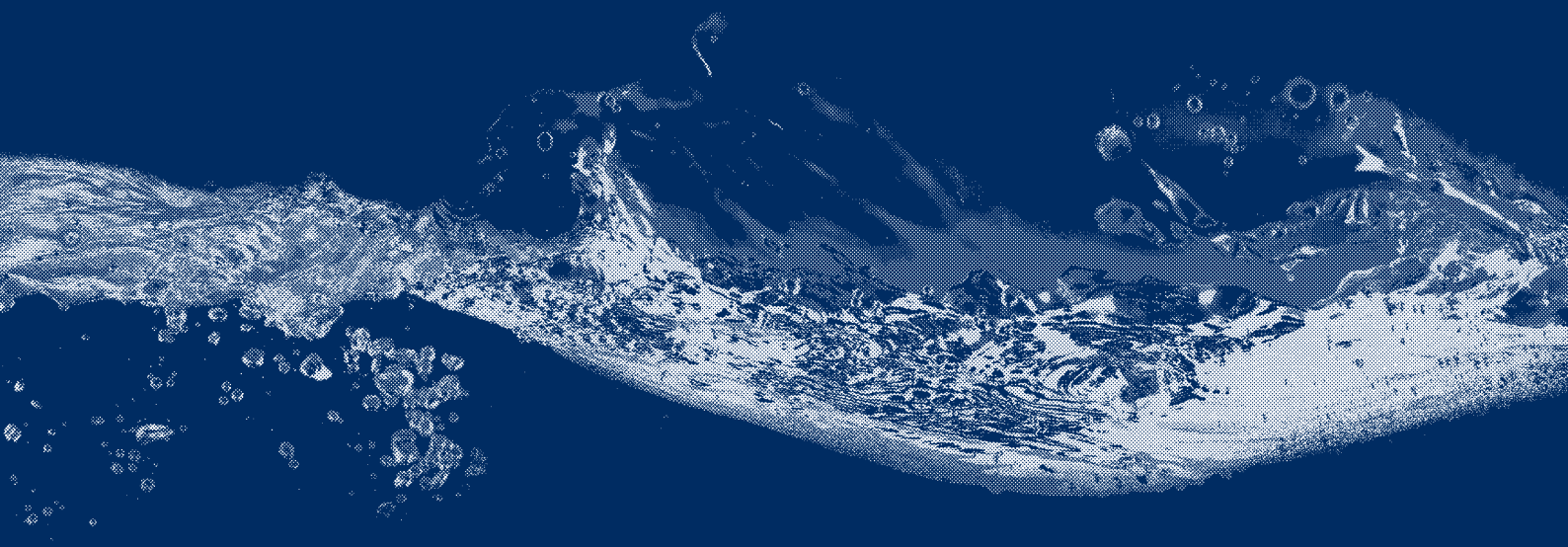




ZD-010-014.2.1.01.11

info@craftsmanmarine.com
www.craftsmanmarine.com

Printed in the Netherlands



CRAFTED WITH CRAFTSMAN MARINE