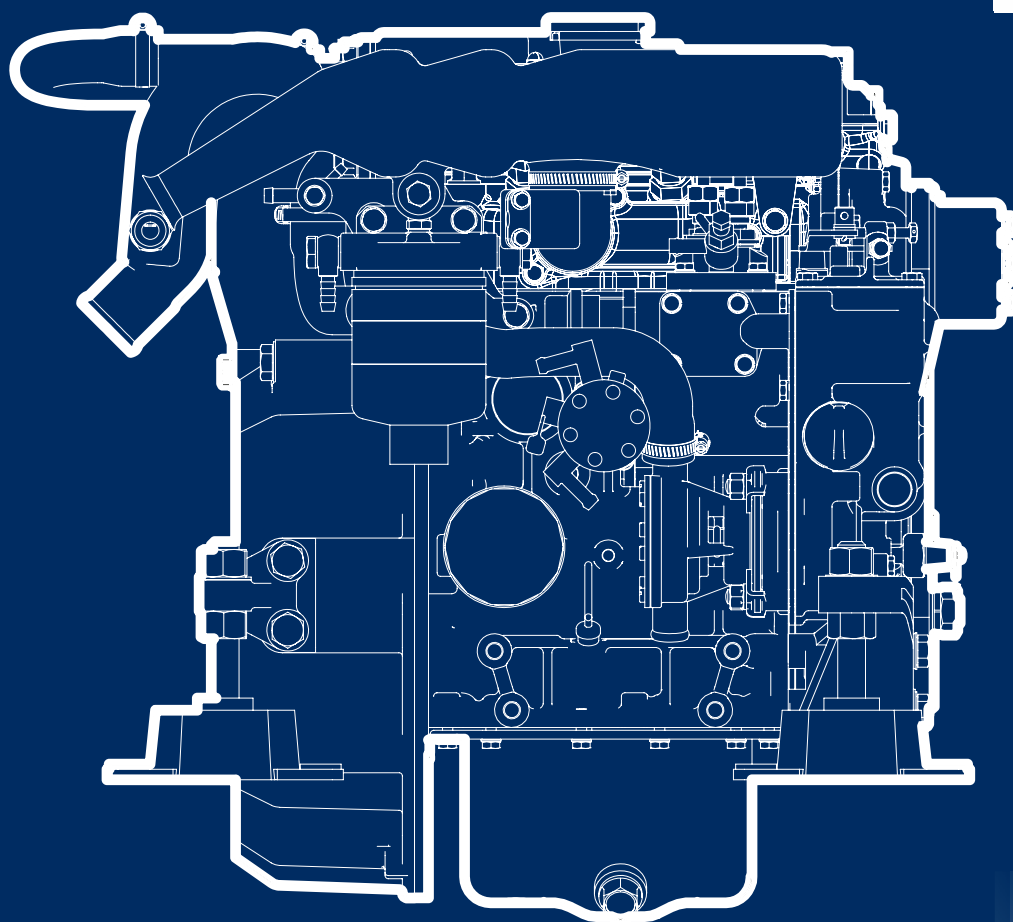




*Craftsman*  
MARINE



# SPARE PARTS

CATALOGUE **CM 2.16**

CRAFTED WITH CRAFTSMAN MARINE

PROPULSION





#### **Disclaimer**

The specifications and the descriptions in this spareparts book were correct at the time of going to press. However, Craftsman Marine is continuously striving after the improvement of its products and therefore reserves the right to modify – at all times and without prior notification - product specifications and instruction manuals.

## 1.0 MARINISATION PARTS

1.1 SPARES SET	PAGE 6
1.2 AIR INTAKE	PAGE 8
1.3 FUEL FILTER	PAGE 8
1.4 ENGINE SUPPORT	PAGE 10
1.5 HEAT EXCHANGE	PAGE 12
1.6 KEELCOOLER MANIFOLD	PAGE 14
1.7 HOSES	PAGE 16
1.8 RAW WATER PUMP	PAGE 18
1.9 FLYWHEEL HOUSING	PAGE 20

## 2.0 MITSUBISHI PARTS

2.1 CRANKCASE	PAGE 22
2.2 TIMING GEAR & CASE	PAGE 24
2.3 OIL SUMP	PAGE 26
2.4 CYLINDER HEAD	PAGE 28
2.5 CRANKCASE & FLYWHEEL	PAGE 30
2.6 CAMSHAFT & VALVE DRIVE	PAGE 32
2.7 GASKET KIT	PAGE 34
2.8 CIRCULATION PUMP	PAGE 36
2.9 FUEL SYSEM	PAGE 38
2.10 NOZZLE HOLDER	PAGE 40
2.11 FUEL PUMP	PAGE 42
2.12 REGULATOR	PAGE 44

## 3.0 ELECTRONICS

3.1 ALTERNATOR & STARTER	PAGE 46
3.2 TERMINAL BOX	PAGE 46
3.3 SENSORS	PAGE 50
3.4 INSTRUMENT PANEL	PAGE 52



# SPARE PARTS

CM2.16

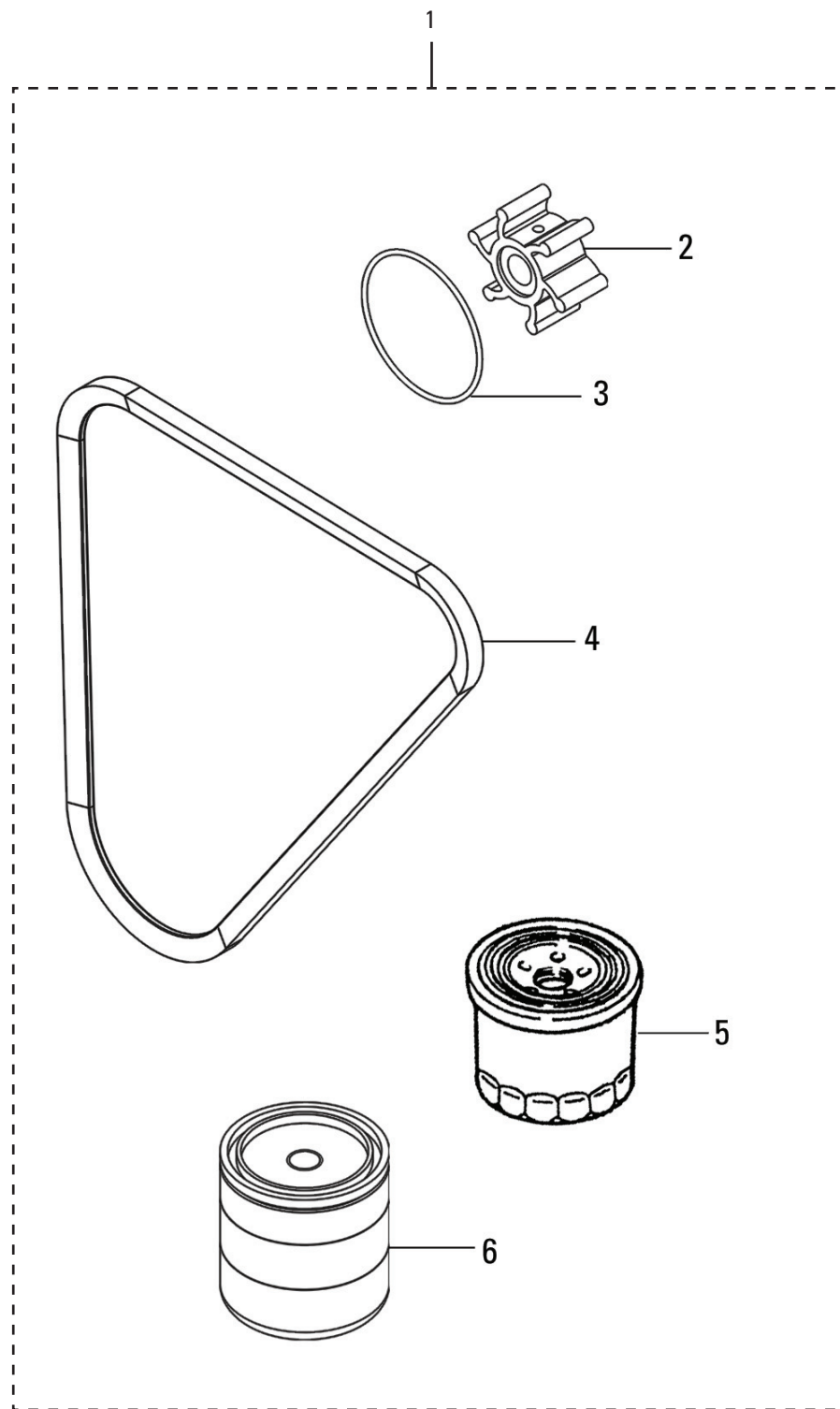
**Craftsman**  
MARINE

## 1.1 SPARES SET

MARINISATION PARTS

MITSUBISHI PARTS

ELECTRONICS





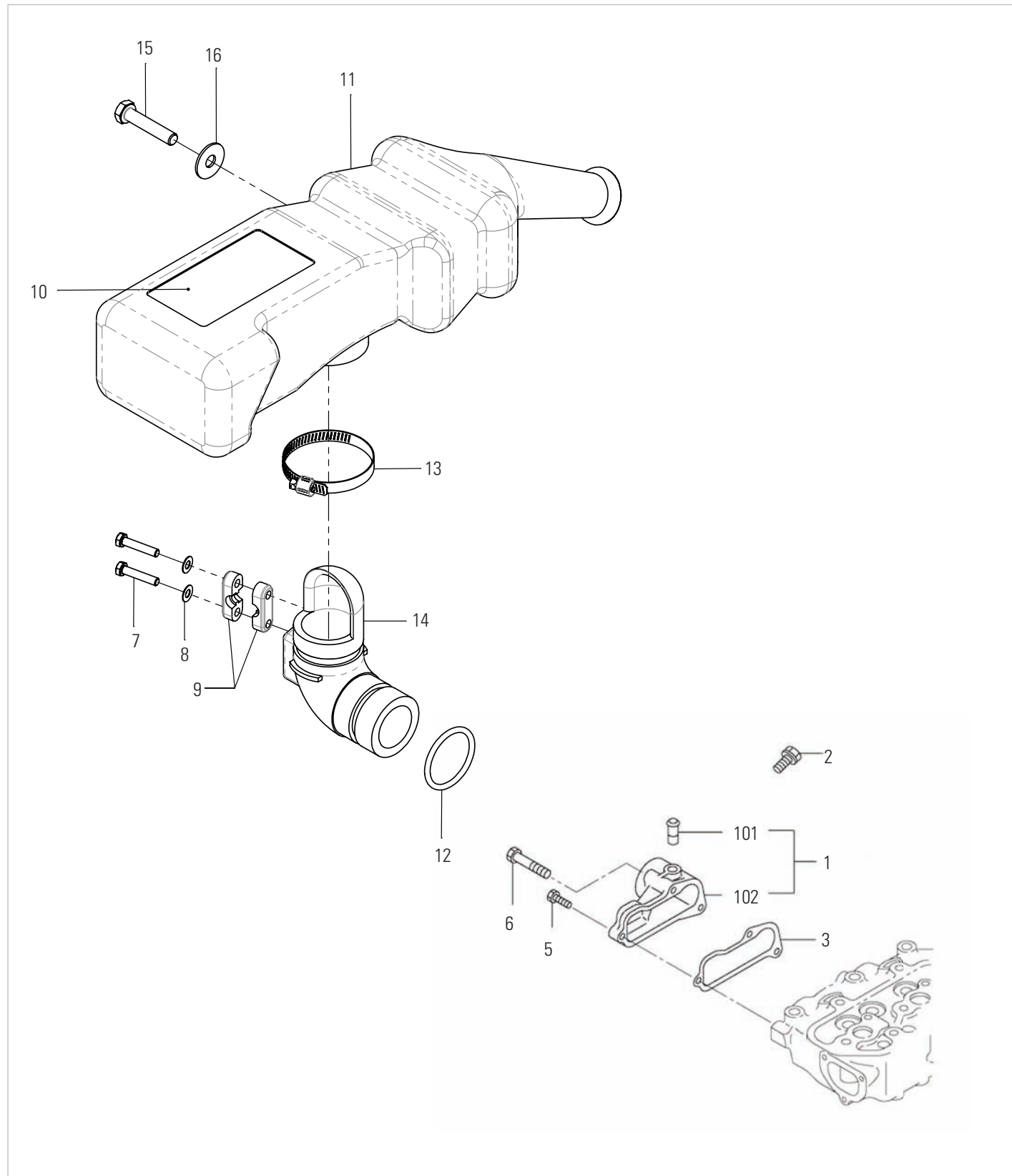


# SPARE PARTS

CM2.16

Craftsman  
MARINE

## 1.2 AIR INTAKE



MARINISATION PARTS

MITSUBISHI PARTS

ELECTRONICS

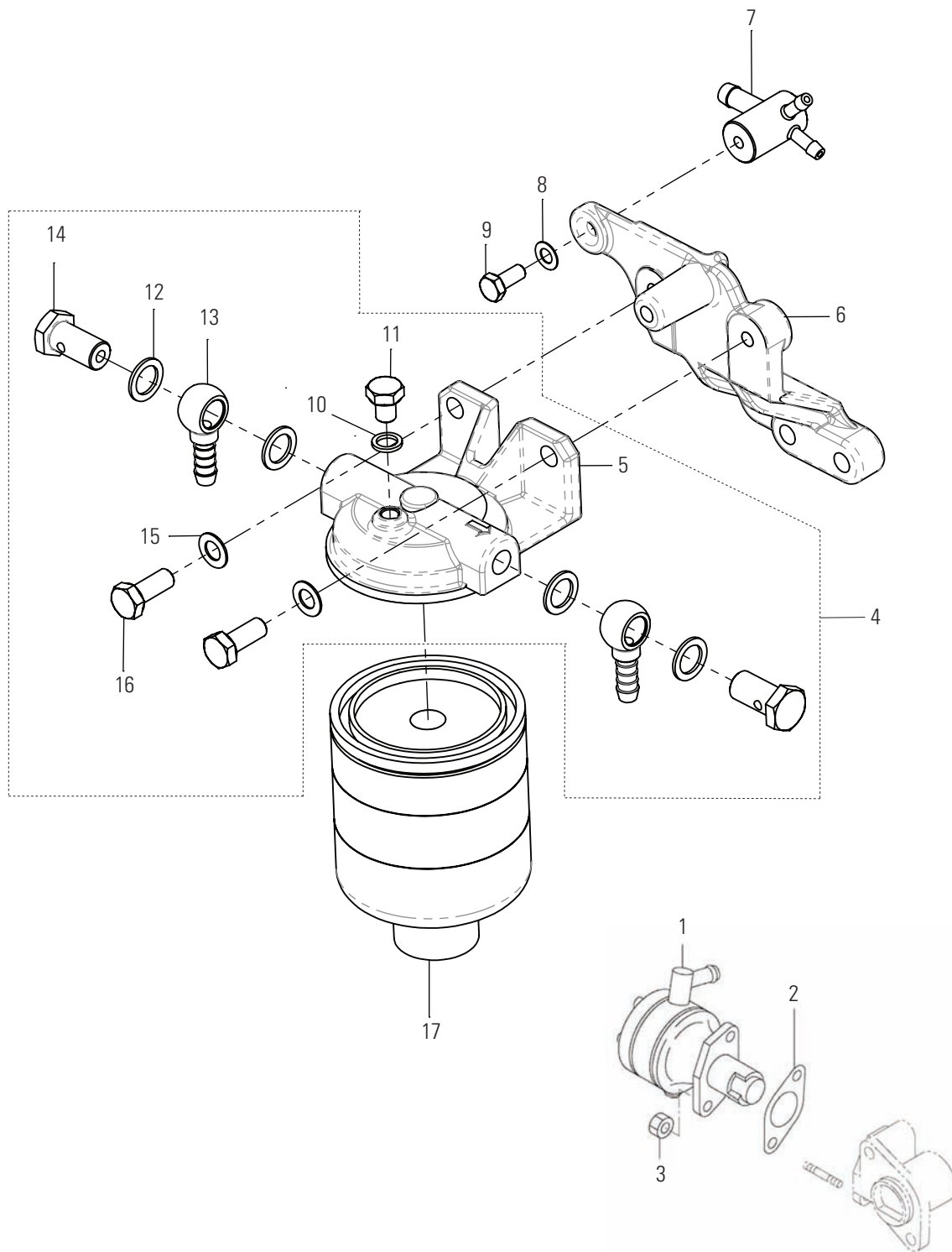


# SPARE PARTS

CM2.16

**Craftsman**  
MARINE

## 1.3 FUEL FILTER



MARINISATION PARTS

MITSUBISHI PARTS

ELECTRONICS

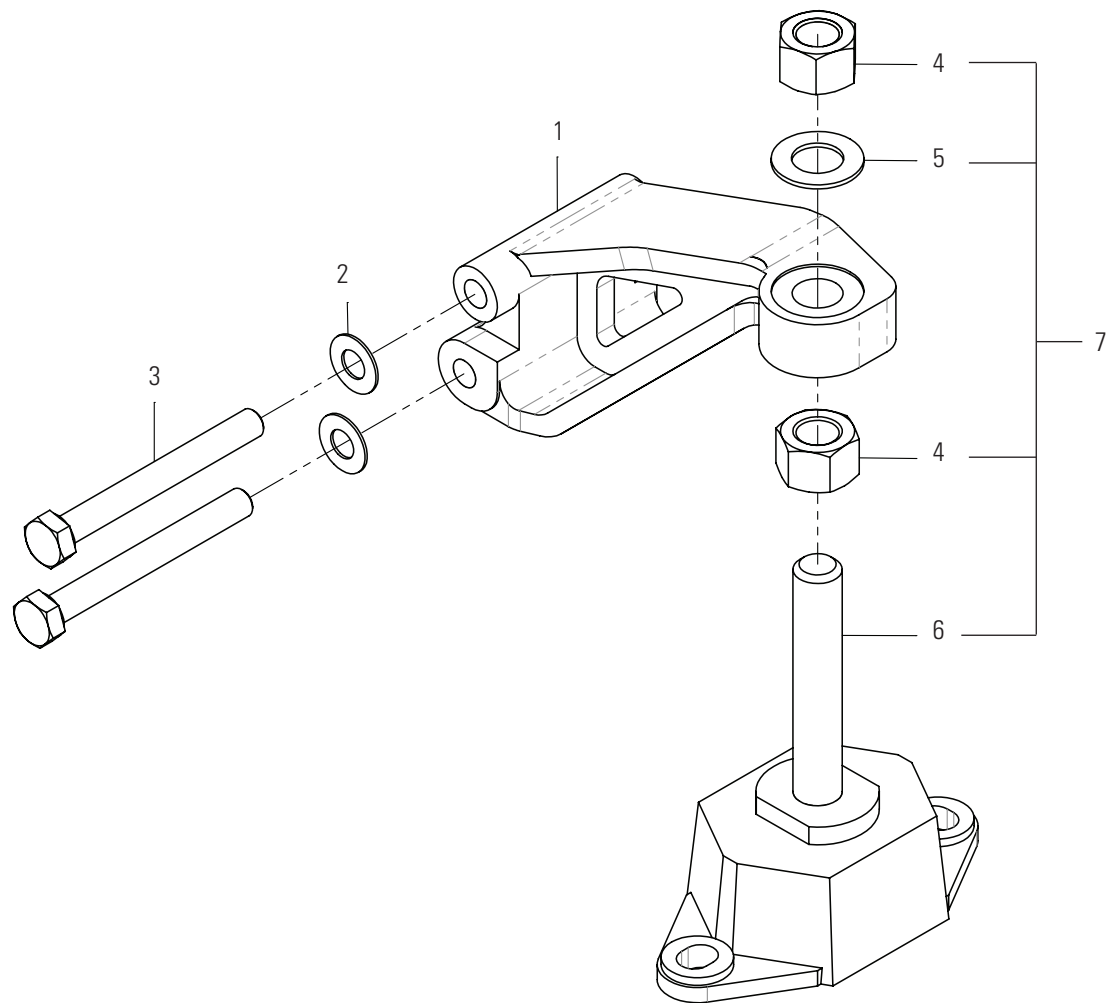


# SPARE PARTS

CM2.16

**Craftsman**  
MARINE

## 1.4 ENGINE SUPPORT



MARINISATION PARTS

MITSUBISHI PARTS

ELECTRONICS



# SPARE PARTS

CM2.16

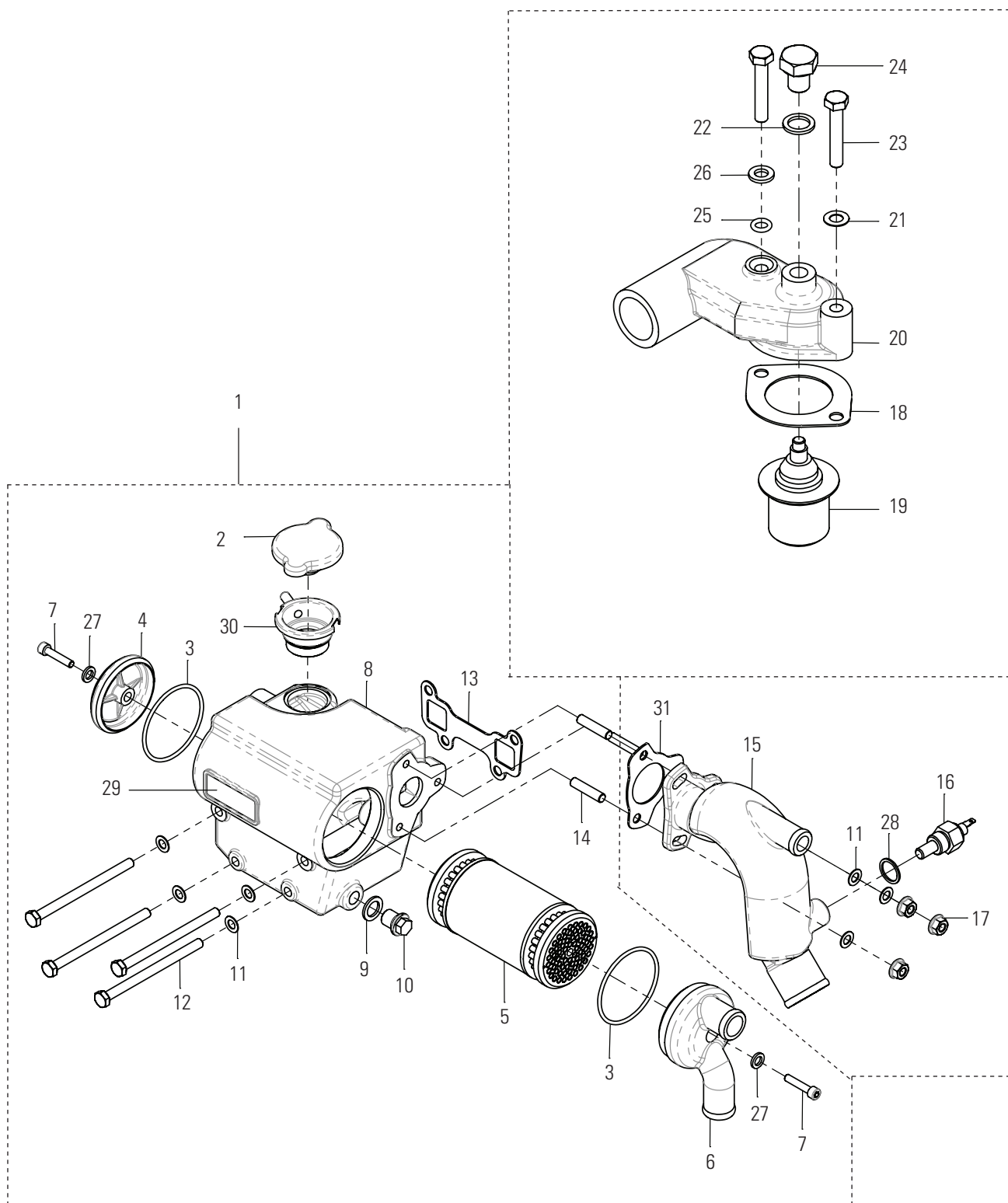
**Craftsman**  
MARINE

## 1.5 HEAT EXCHANGE

MARINISATION PARTS

MITSUBISHI PARTS

ELECTRONICS











# SPARE PARTS

CM2.16

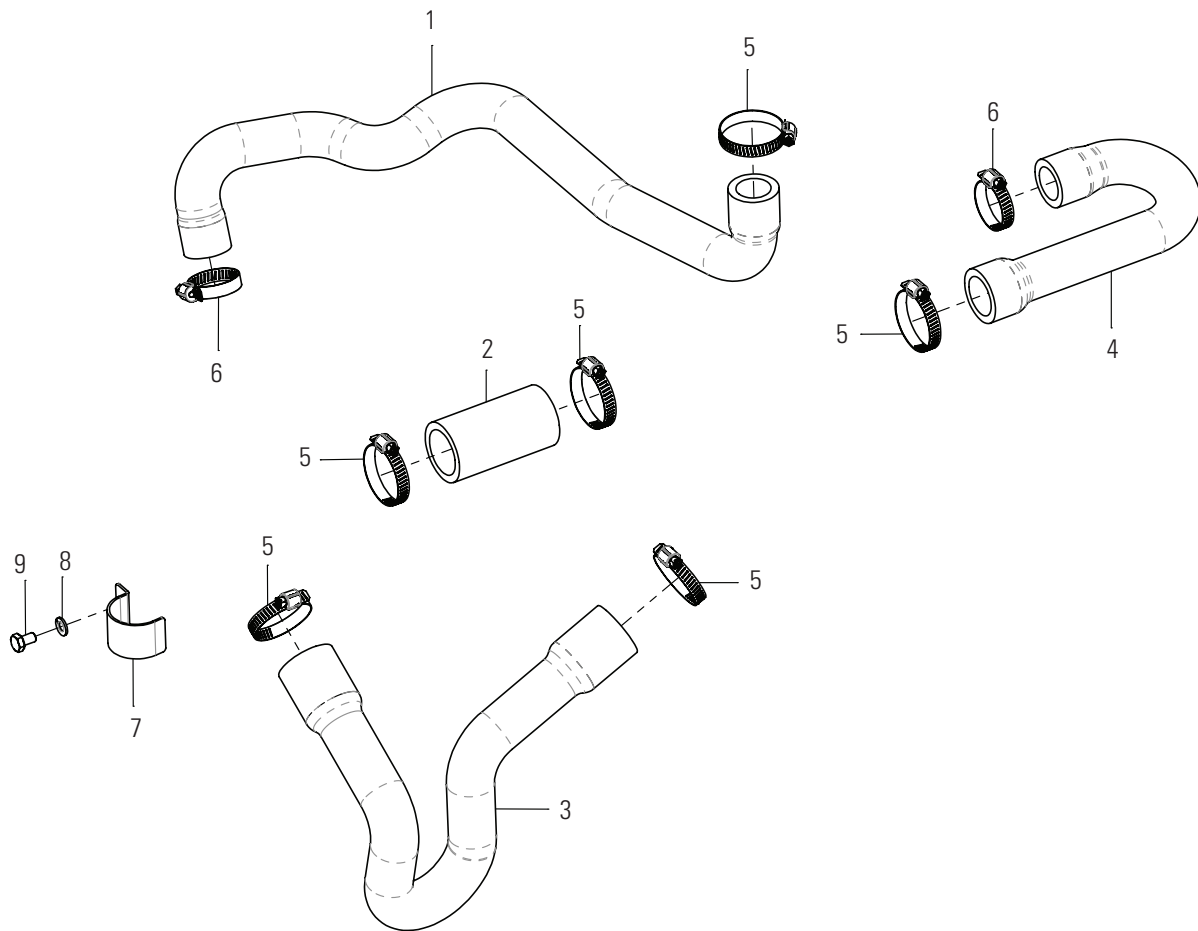
**Craftsman**  
MARINE

## 1.7 HOSES

MARINISATION PARTS

MITSUBISHI PARTS

ELECTRONICS



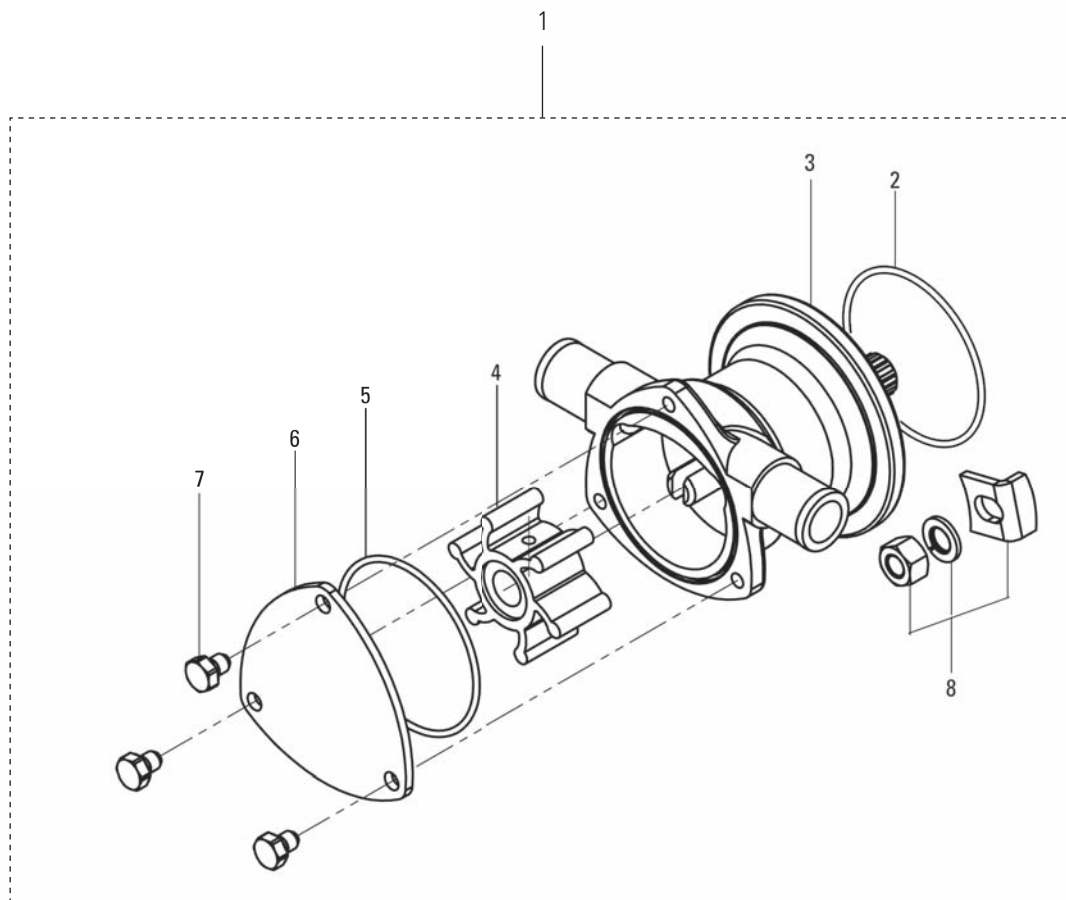


# SPARE PARTS

CM2.16

**Craftsman**  
MARINE

## 1.8 RAW WATER PUMP



MARINISATION PARTS

MITSUBISHI PARTS

ELECTRONICS

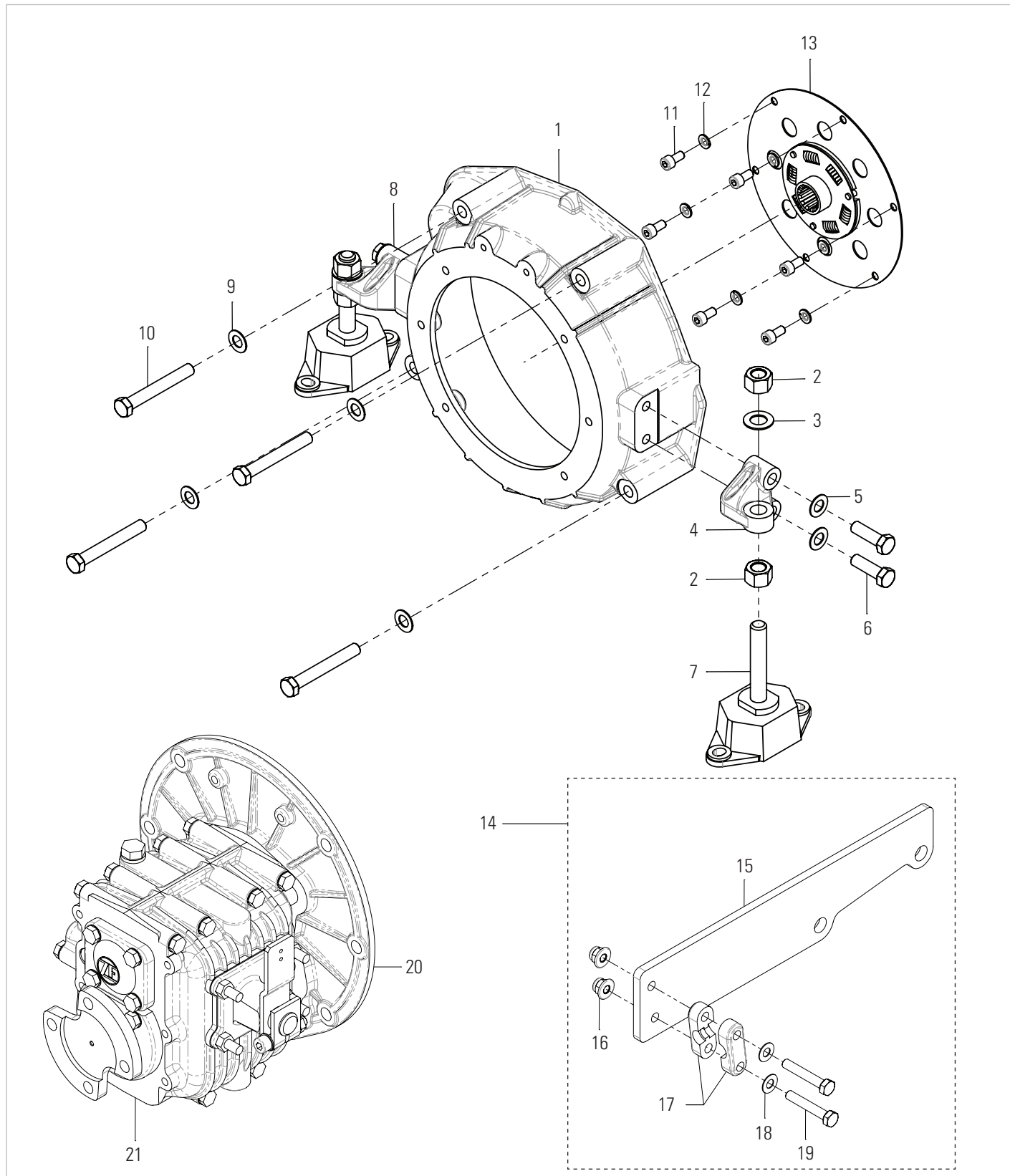


# SPARE PARTS

CM2.16

Craftsman  
MARINE

## 1.9 FLYWHEEL HOUSING



MARINISATION PARTS

MITSUBISHI PARTS

ELECTRONICS



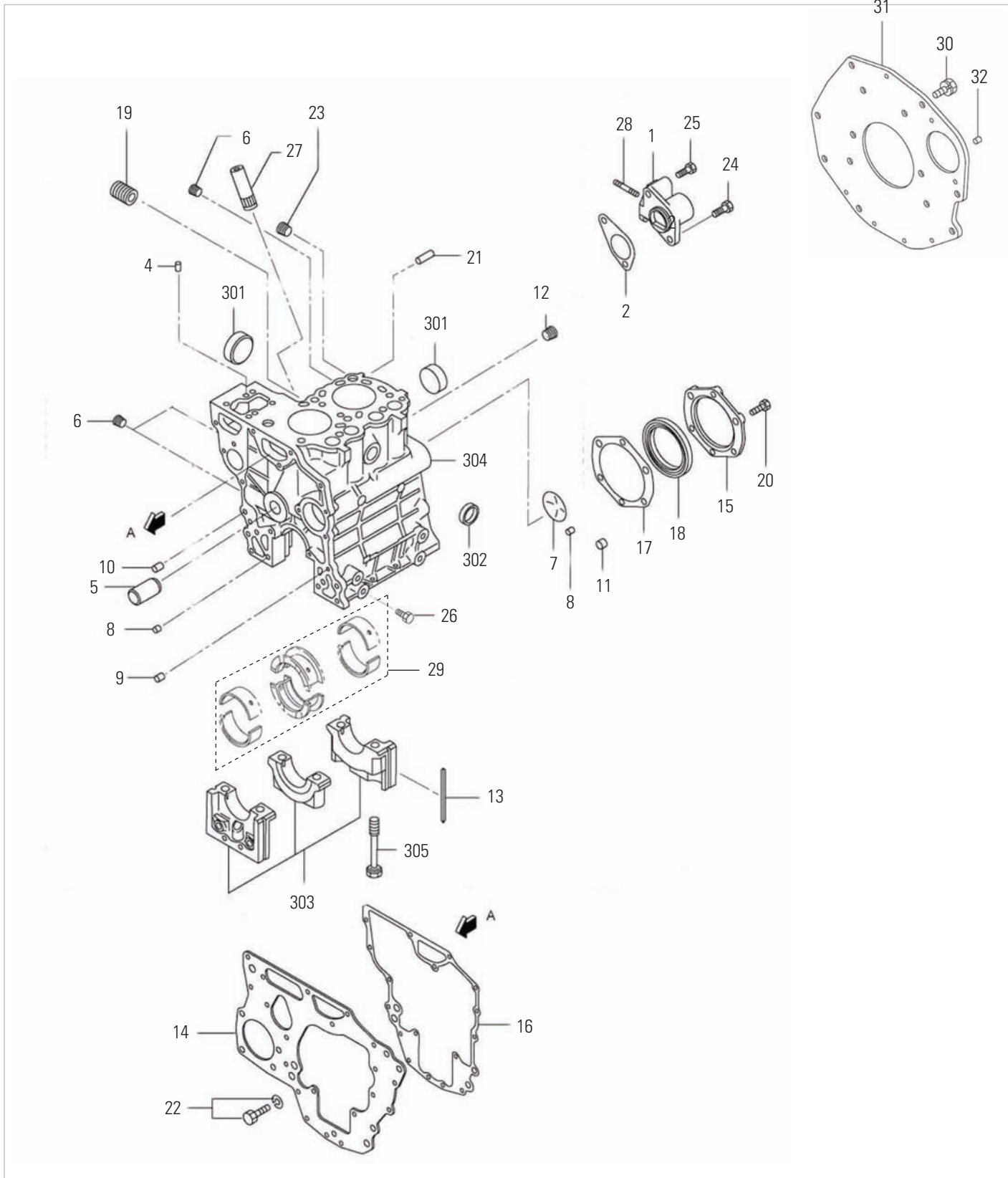


# SPARE PARTS

CM2.16

**Craftsman**  
MARINE

## 2.1 CRANK CASE



MARINISATION PARTS

MITSUBISHI PARTS

ELECTRONICS



# SPARE PARTS

CM2.16

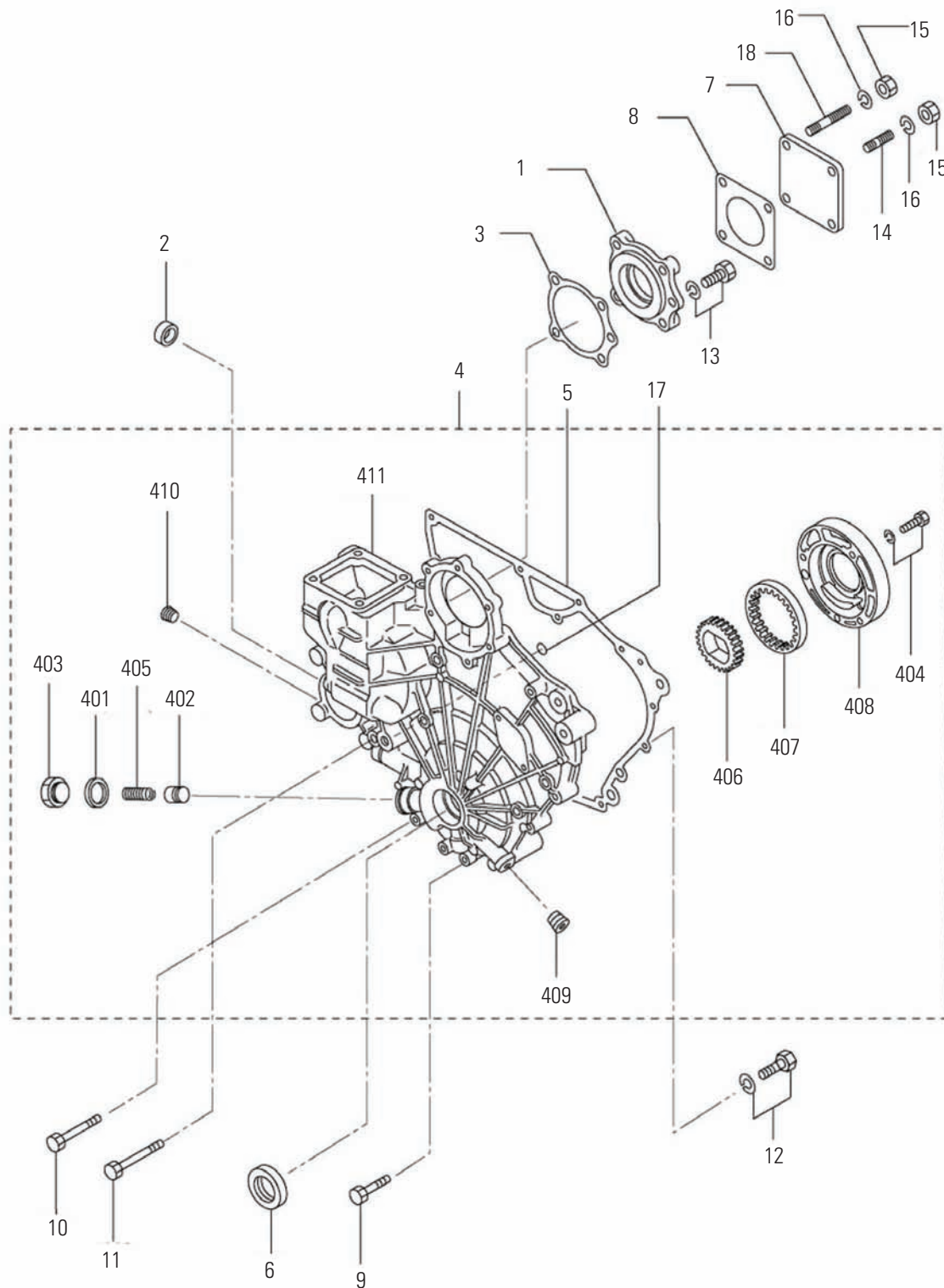
**Craftsman**  
MARINE

## 2.2 TIMING GEAR & CASE

MARINISATION PARTS

MITSUBISHI PARTS

ELECTRONICS





# SPARE PARTS

CM2.16

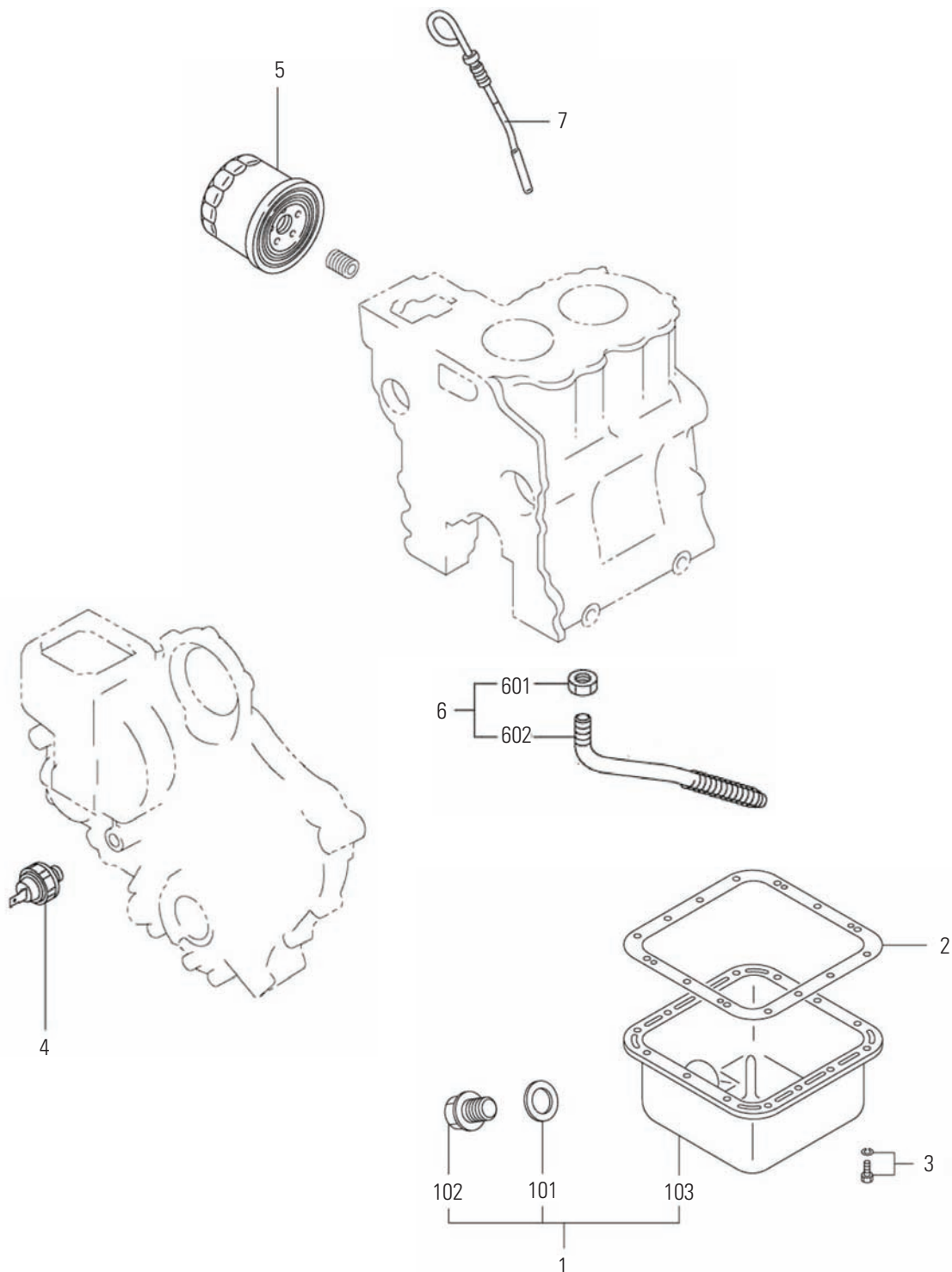
**Craftsman**  
MARINE

## 2.3 OIL SUMP

MARINISATION PARTS

MITSUBISHI PARTS

ELECTRONICS





# SPARE PARTS

CM2.16

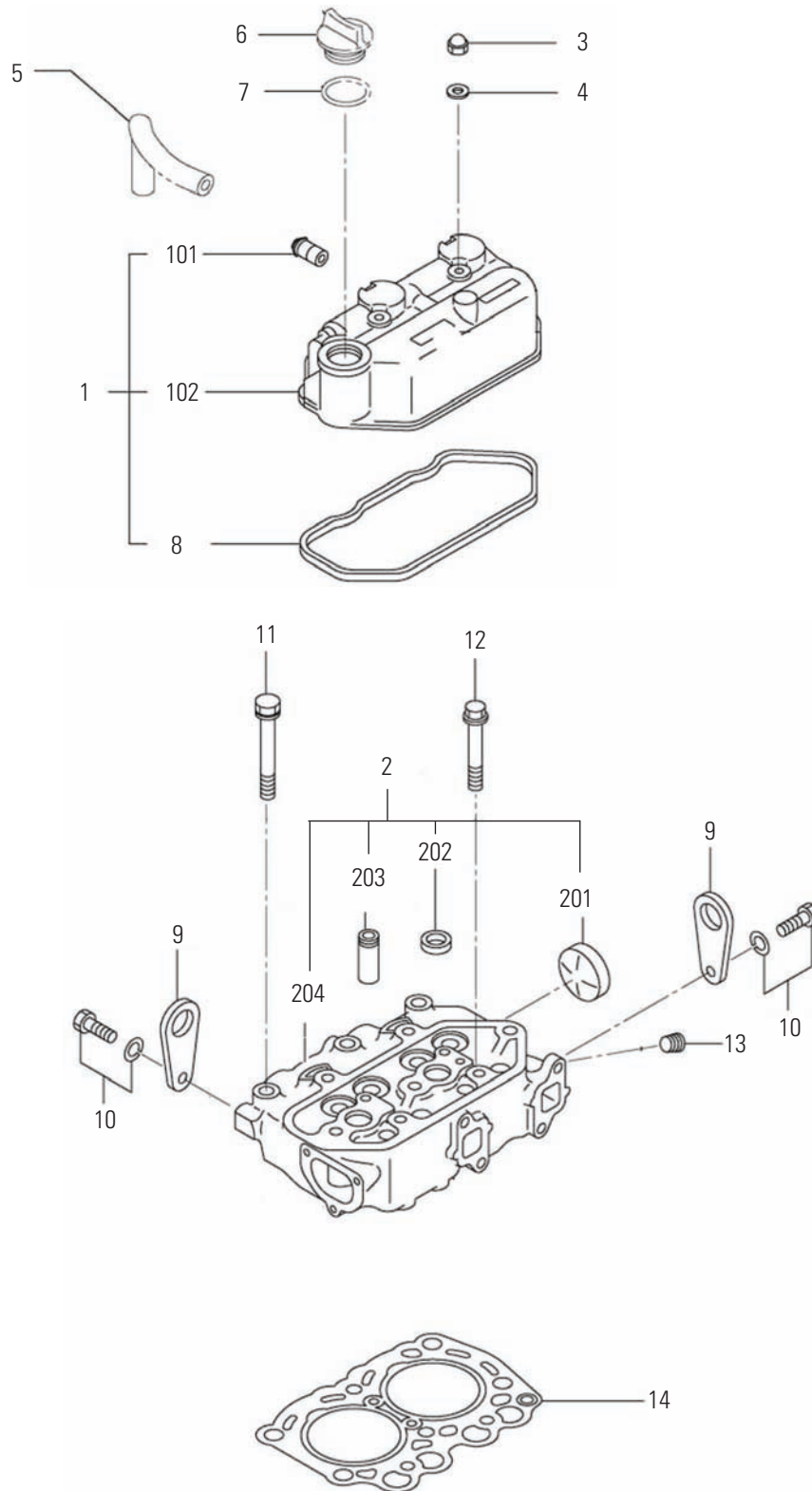
**Craftsman**  
MARINE

## 2.4 CYLINDER HEAD

MARINISATION PARTS

MITSUBISHI PARTS

ELECTRONICS





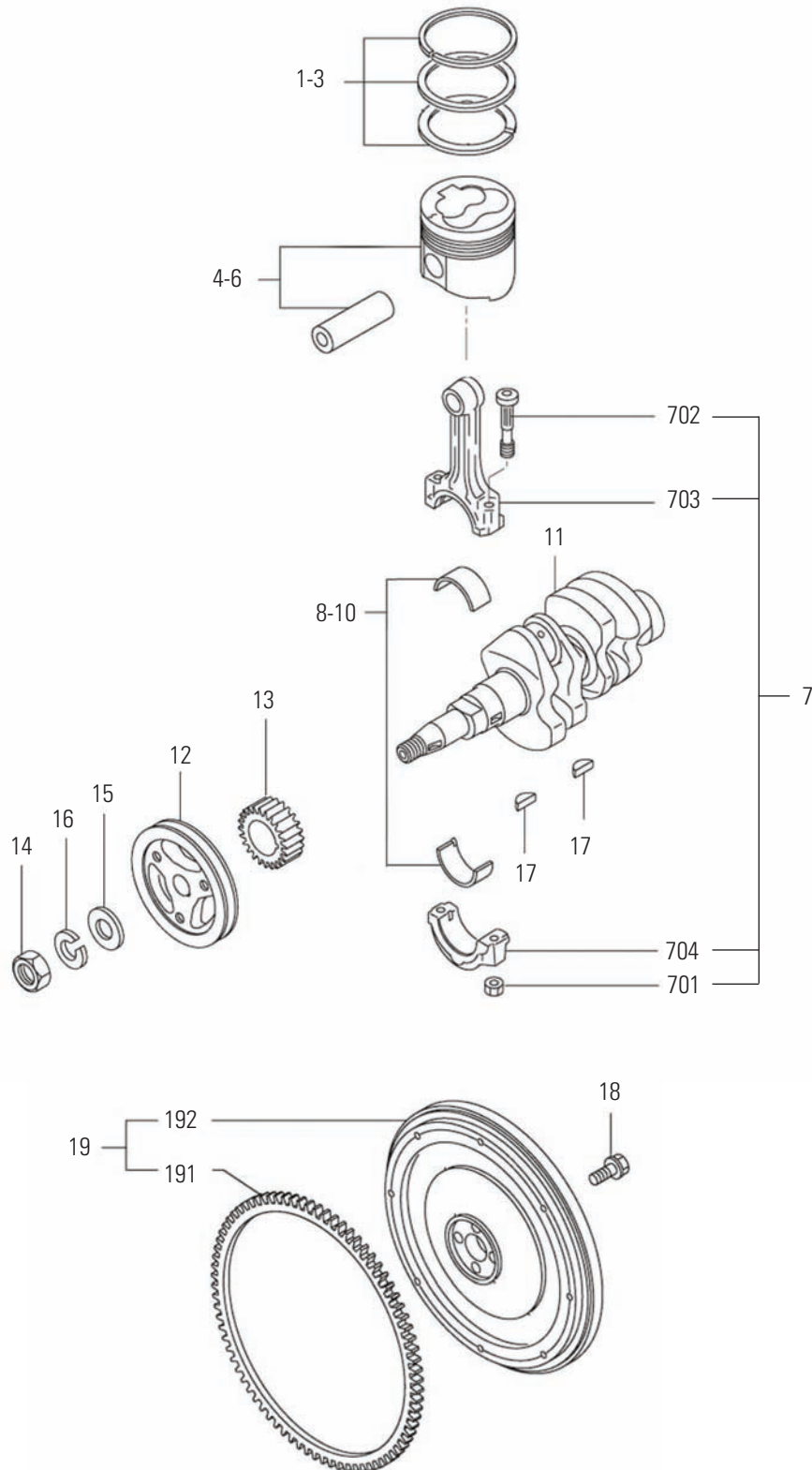


# SPARE PARTS

CM2.16

Craftsman  
MARINE

## 2.5 CRANKCASE & FLYWHEEL



MARINISATION PARTS

MITSUBISHI PARTS

ELECTRONICS

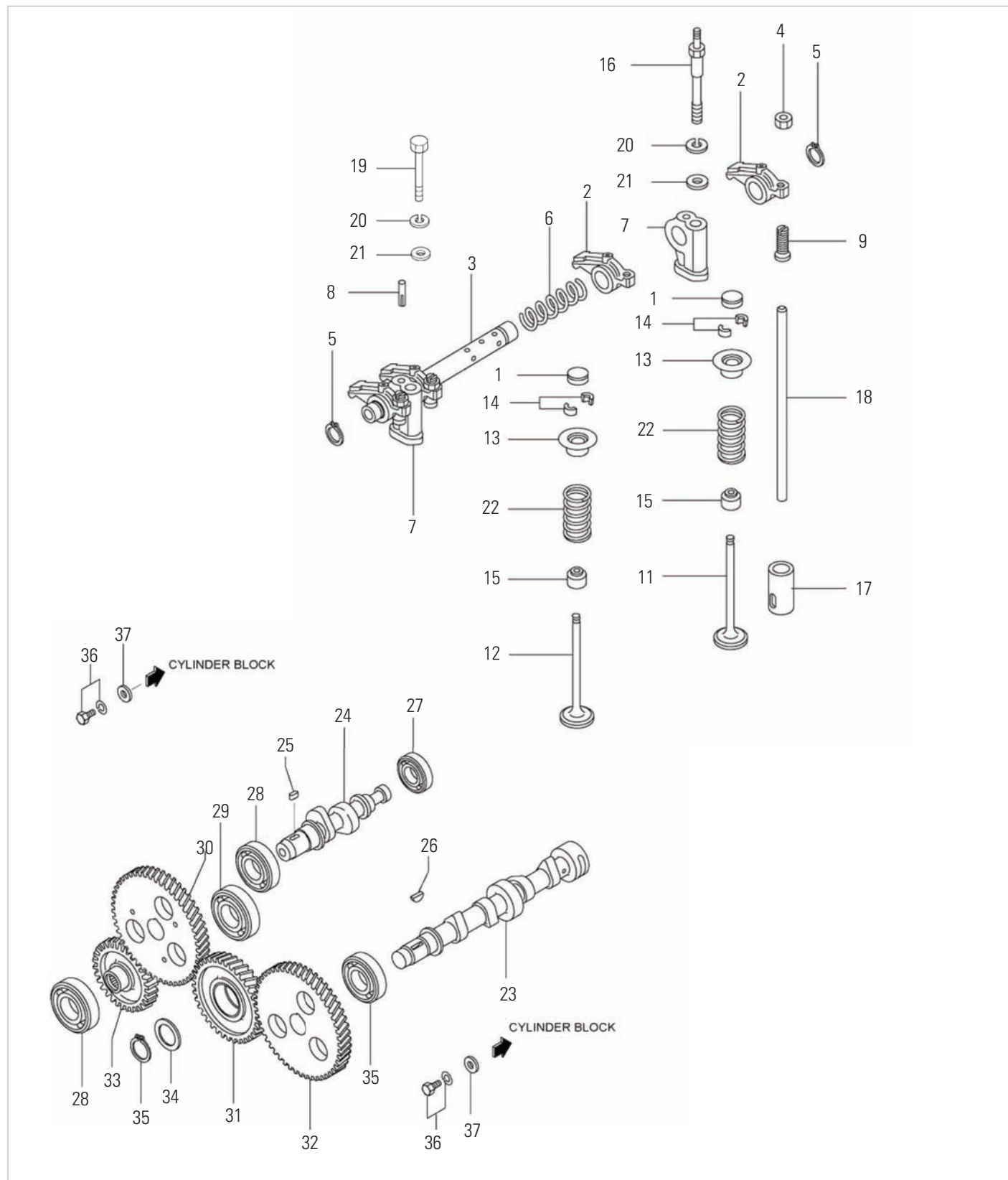


# SPARE PARTS

CM2.16

Craftsman  
MARINE

## 2.6 CAMSHAFT & VALVE DRIVE



MARINISATION PARTS

MITSUBISHI PARTS

ELECTRONICS

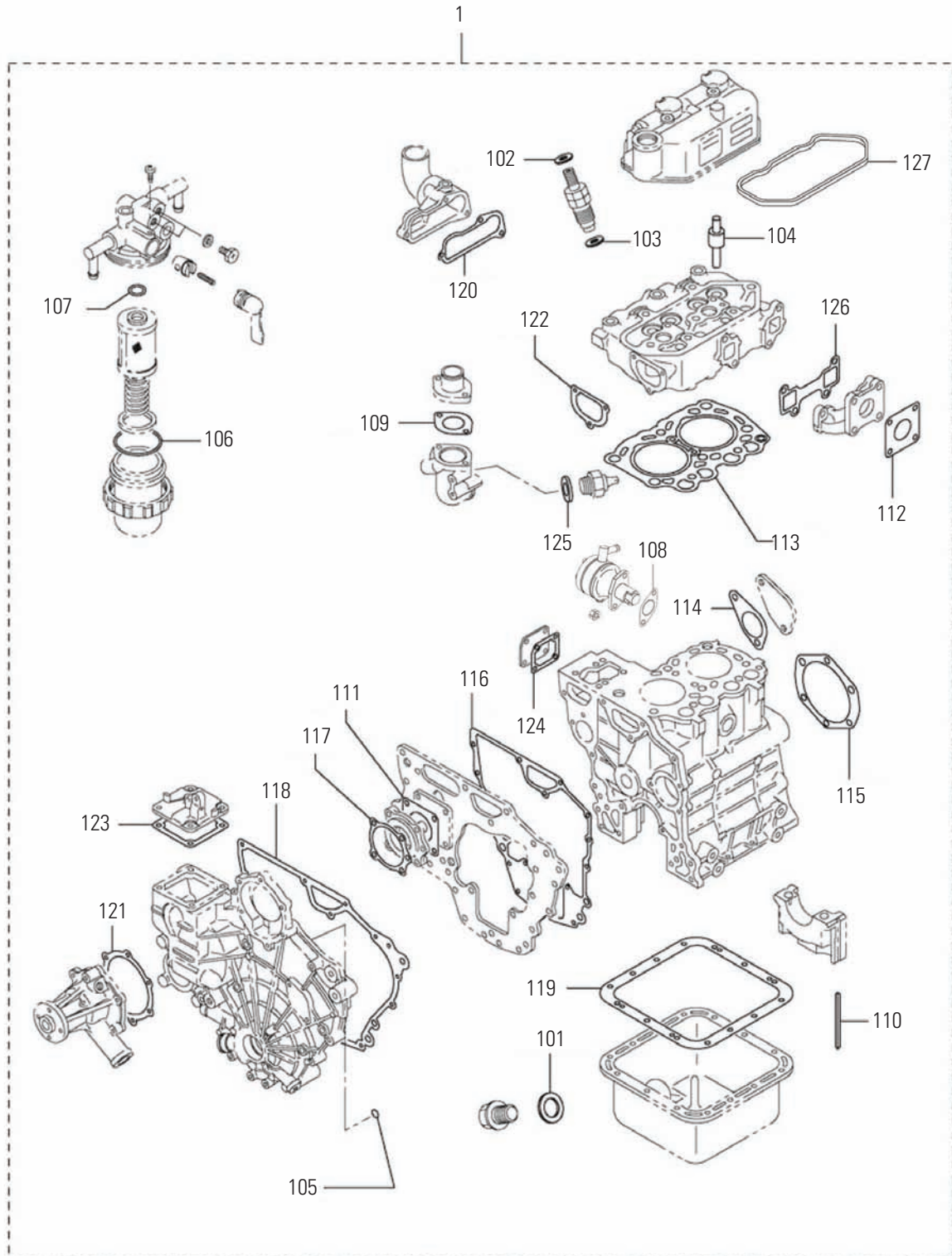


# SPARE PARTS

CM2.16

**Craftsman**  
MARINE

## 2.7 GASKET KIT



MARINISATION PARTS

MITSUBISHI PARTS

ELECTRONICS

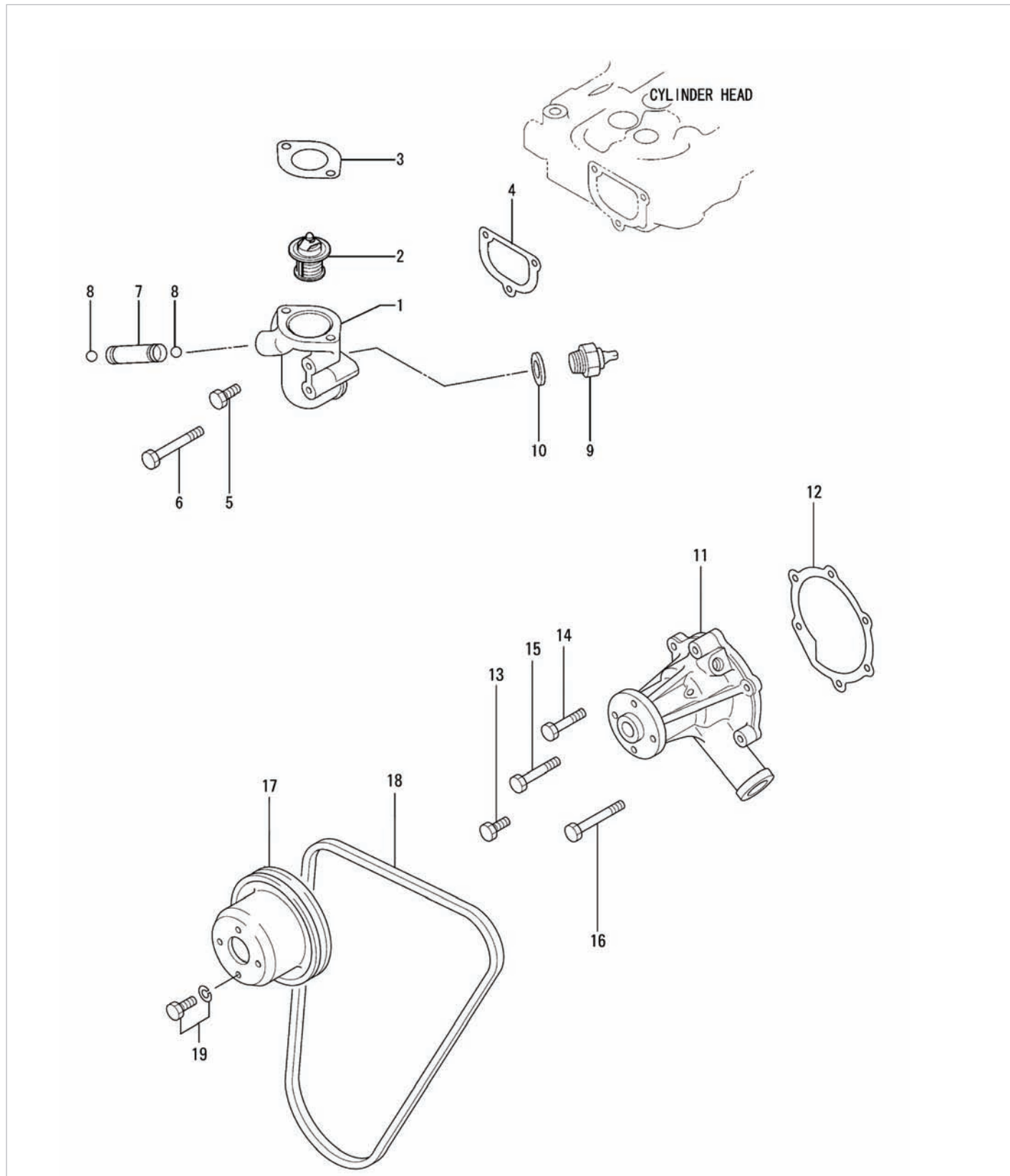


# SPARE PARTS

CM2.16

**Craftsman**  
MARINE

## 2.8 CIRCULATION PUMP & THERMOSTAT



MARINISATION PARTS

MITSUBISHI PARTS

ELECTRONICS





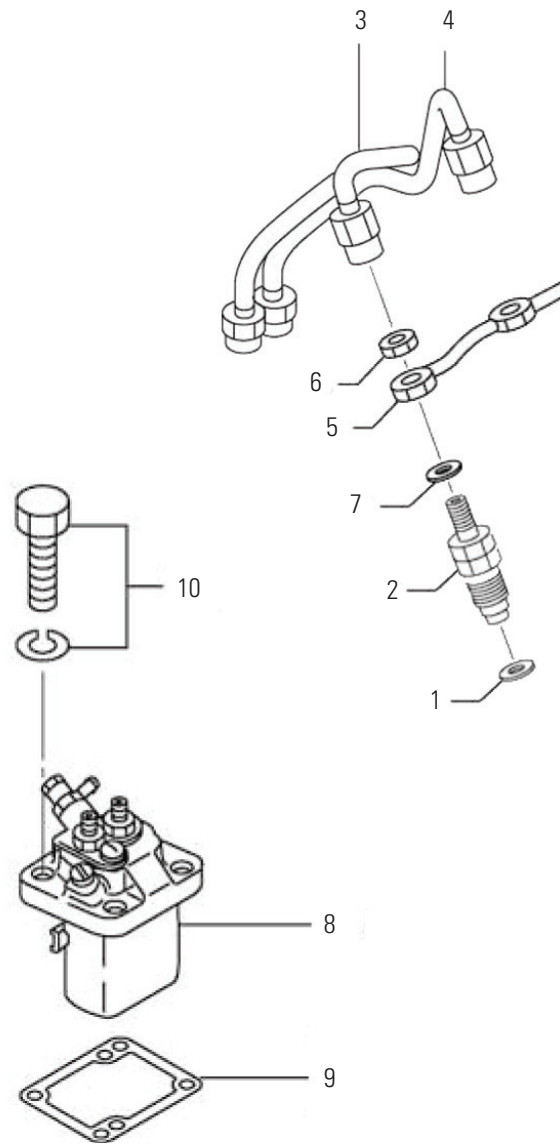


# SPARE PARTS

CM2.16

**Craftsman**  
MARINE

## 2.9 FUEL SYSTEM



MARINISATION PARTS

MITSUBISHI PARTS

ELECTRONICS

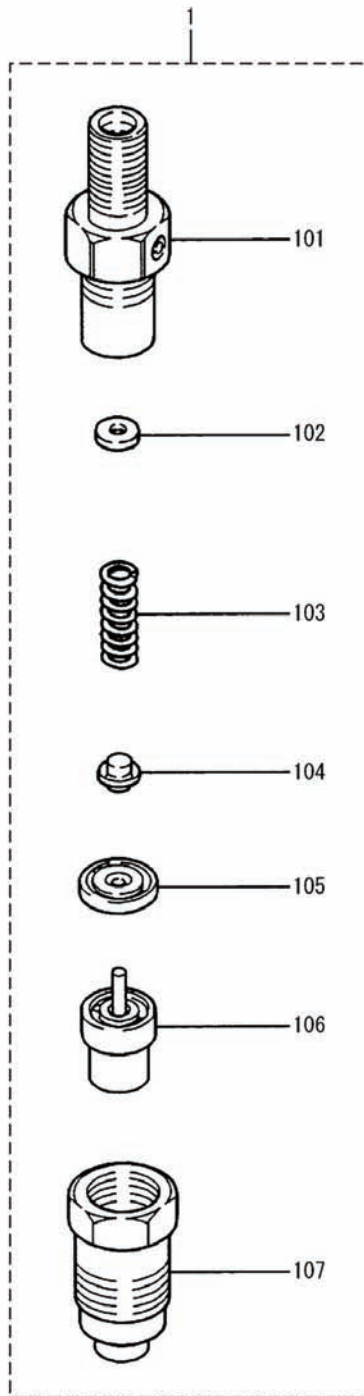


# SPARE PARTS

CM2.16

**Craftsman**  
MARINE

## 2.10 NOZZLE HOLDER



MARINISATION PARTS

MITSUBISHI PARTS

ELECTRONICS

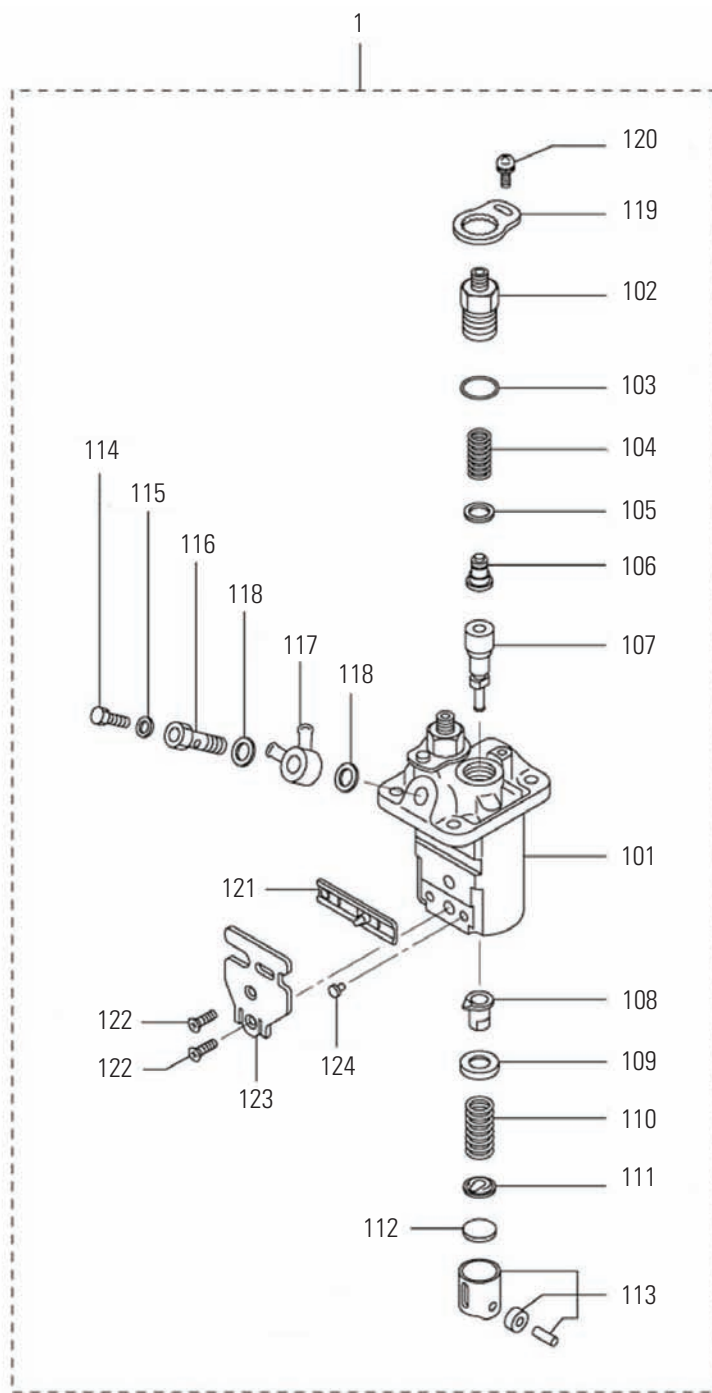


## 2.11 FUEL PUMP

MARINISATION PARTS

MITSUBISHI PARTS

ELECTRONICS





# SPARE PARTS

CM2.16

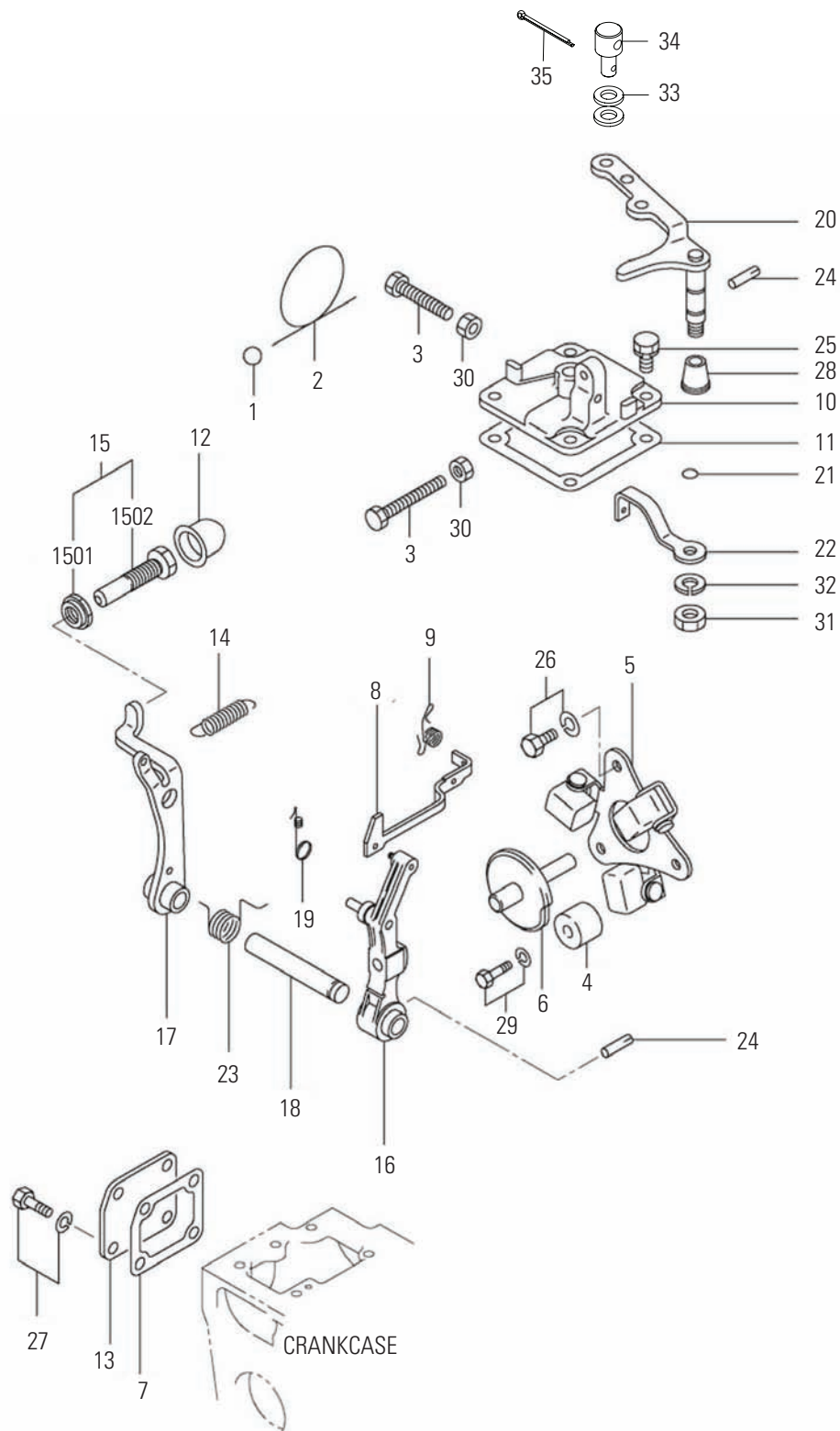
**Craftsman**  
MARINE

## 2.12 REGULATOR

MARINISATION PARTS

MITSUBISHI PARTS

ELECTRONICS





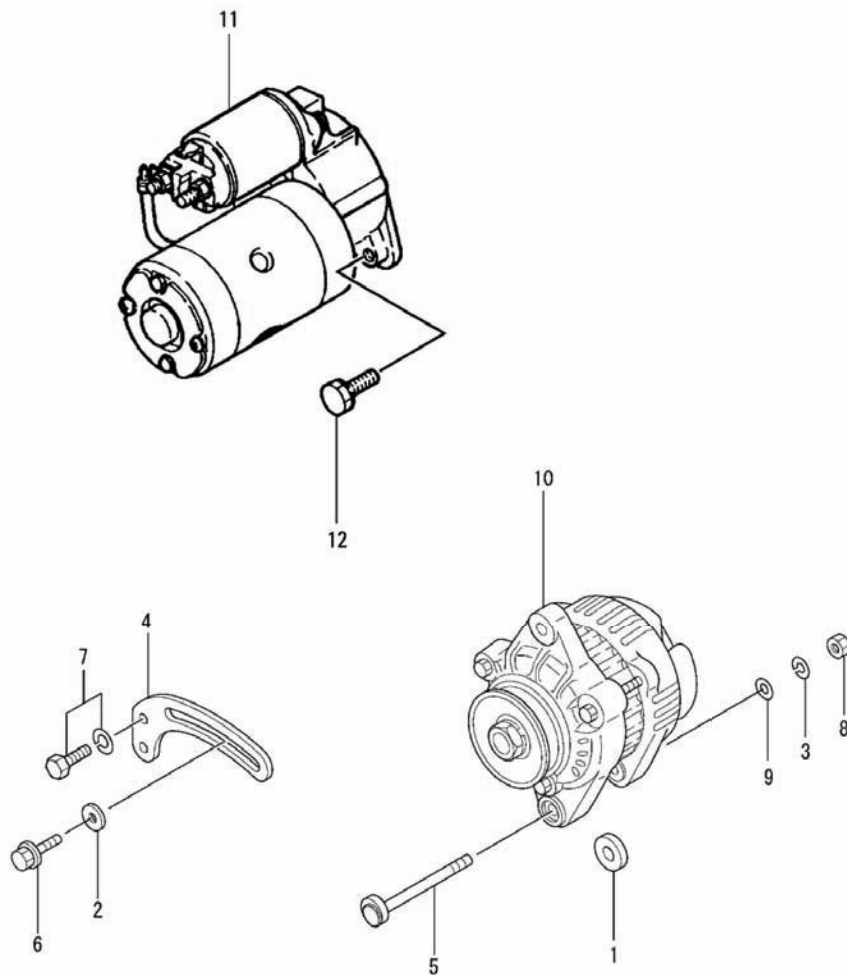


# SPARE PARTS

CM2.16

**Craftsman**  
MARINE

## 3.1 ALTERNATOR & STARTER



MARINISATION PARTS

MITSUBISHI PARTS

ELECTRONICS

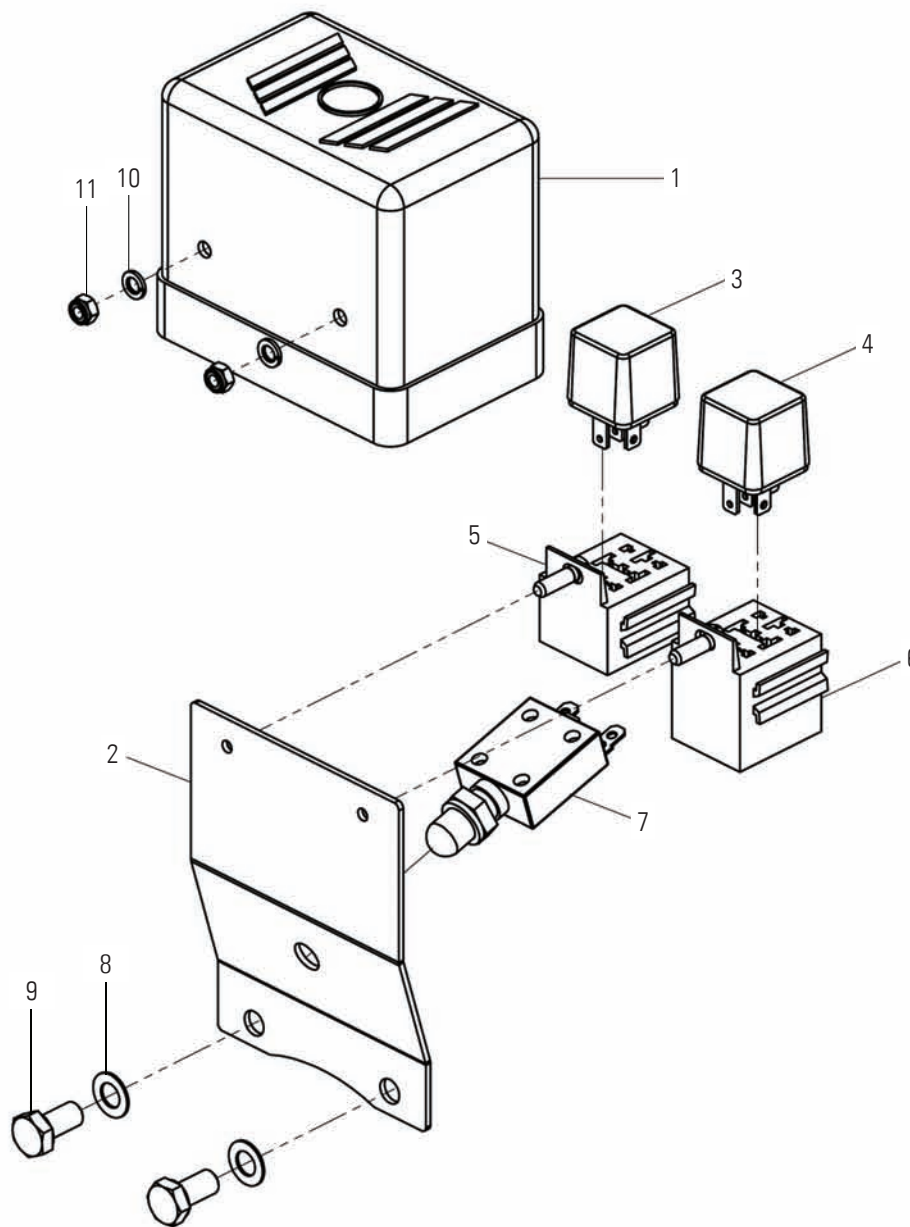


# SPARE PARTS

CM2.16

**Craftsman**  
MARINE

## 3.2 TERMINAL BOX



MARINISATION PARTS

MITSUBISHI PARTS

ELECTRONICS

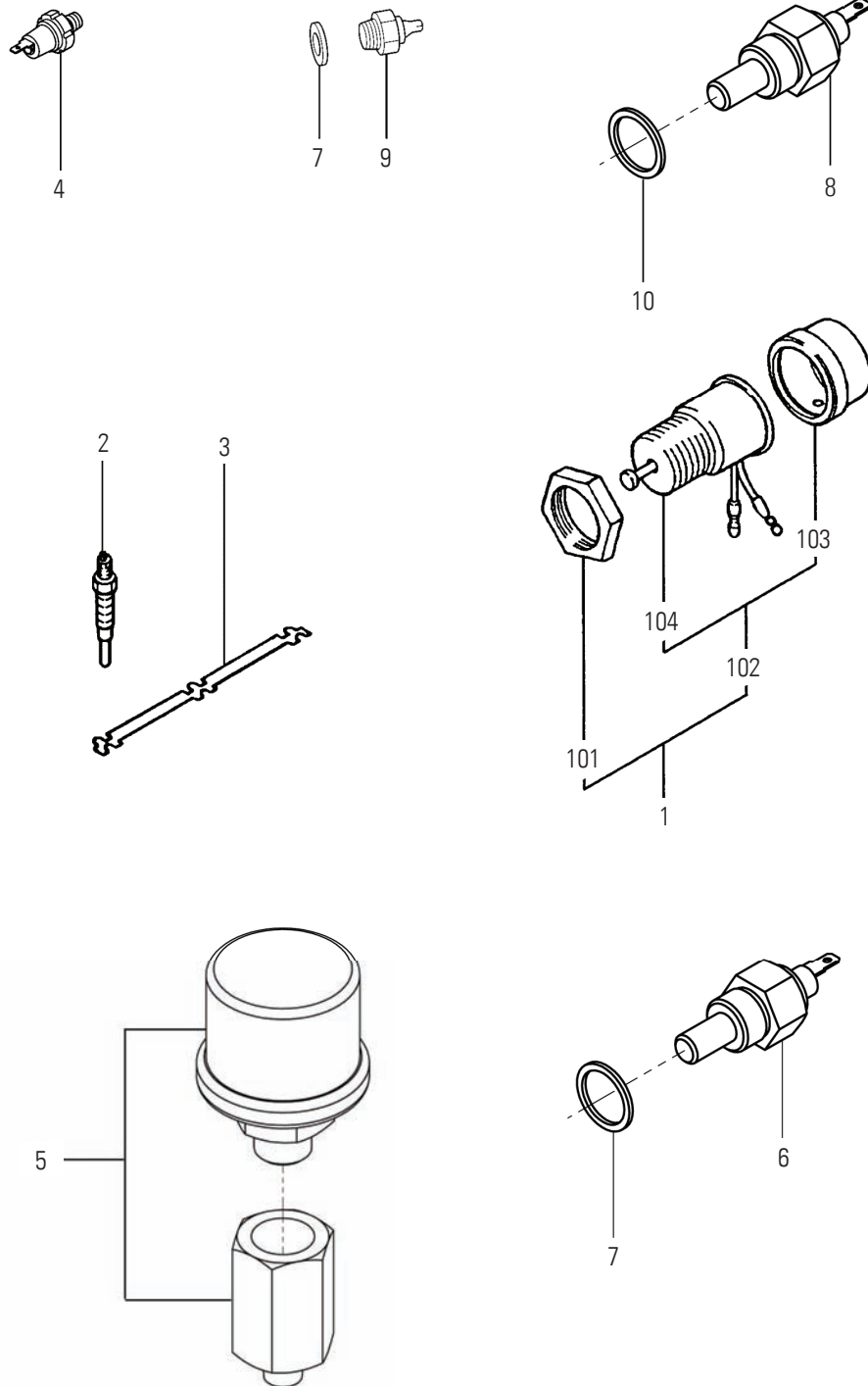


# SPARE PARTS

CM2.16

Craftsman  
MARINE

## 3.3 SENSORS



MARINISATION PARTS

MITSUBISHI PARTS

ELECTRONICS

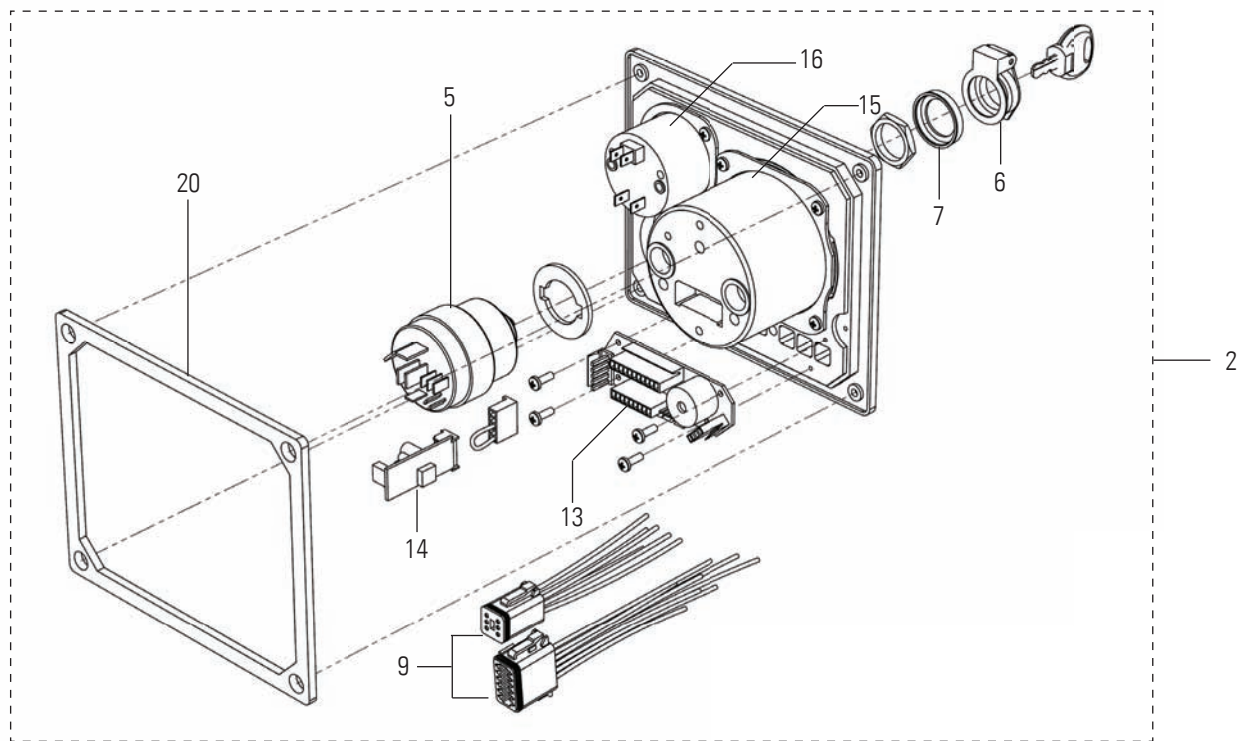
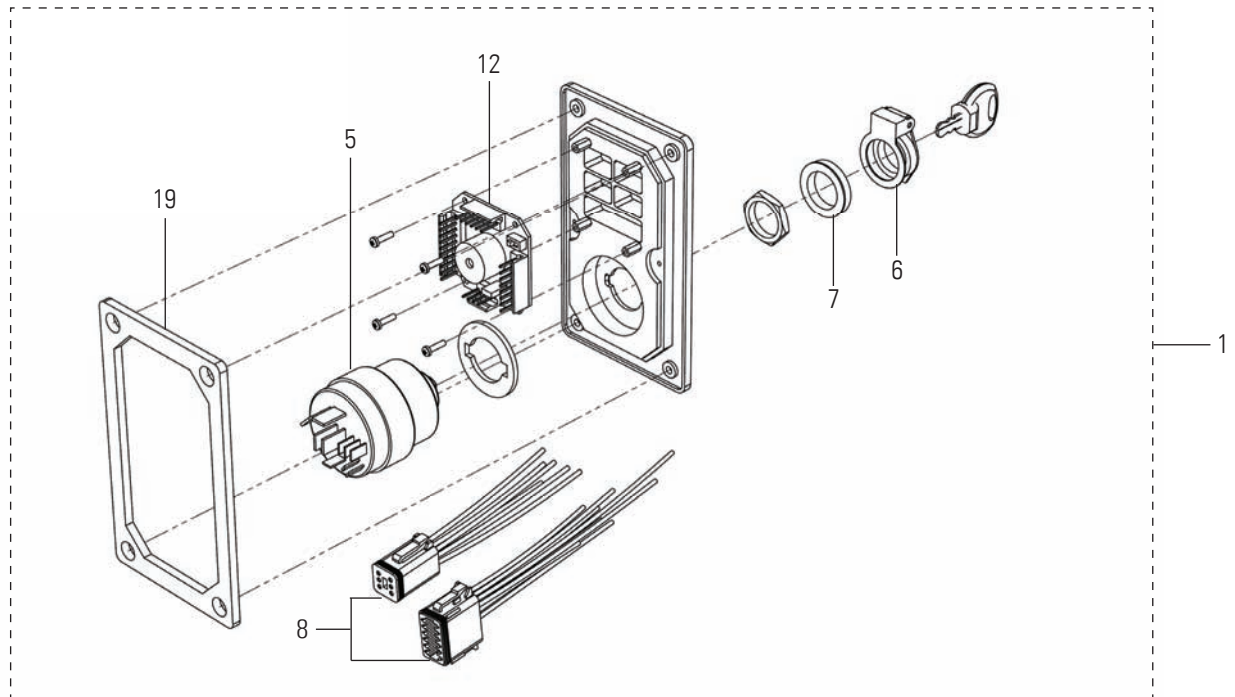


# SPARE PARTS

CM2.16

Craftsman  
MARINE

## 3.4 INSTRUMENT PANEL



MARINISATION PARTS

MITSUBISHI PARTS

ELECTRONICS



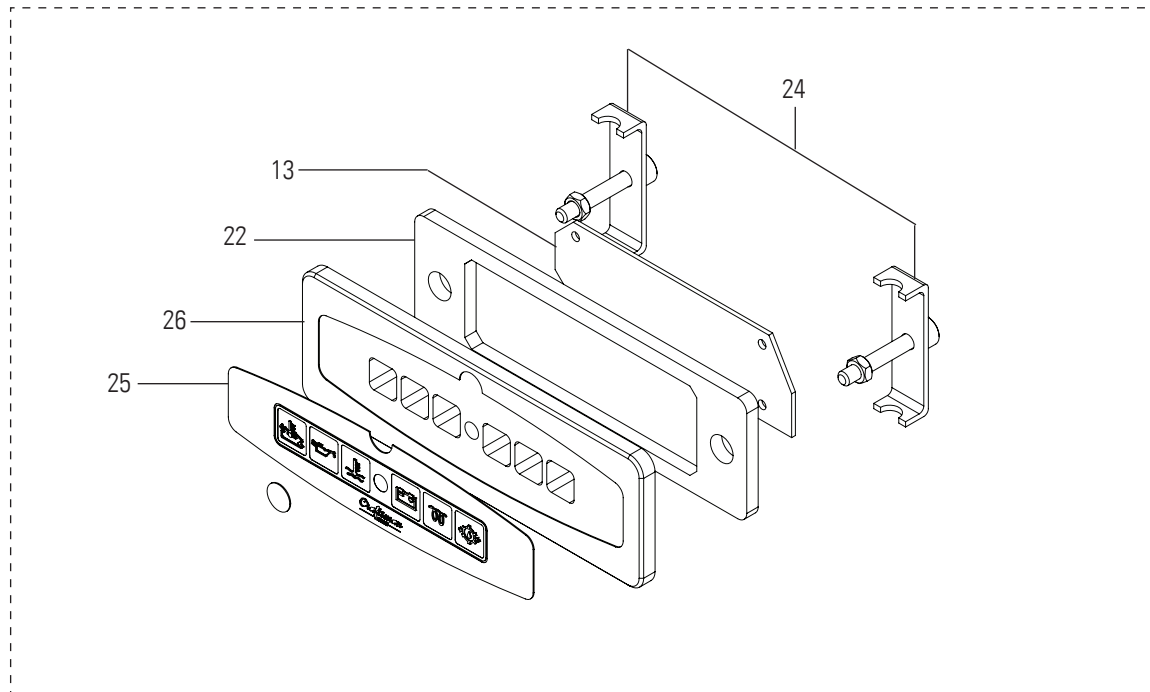
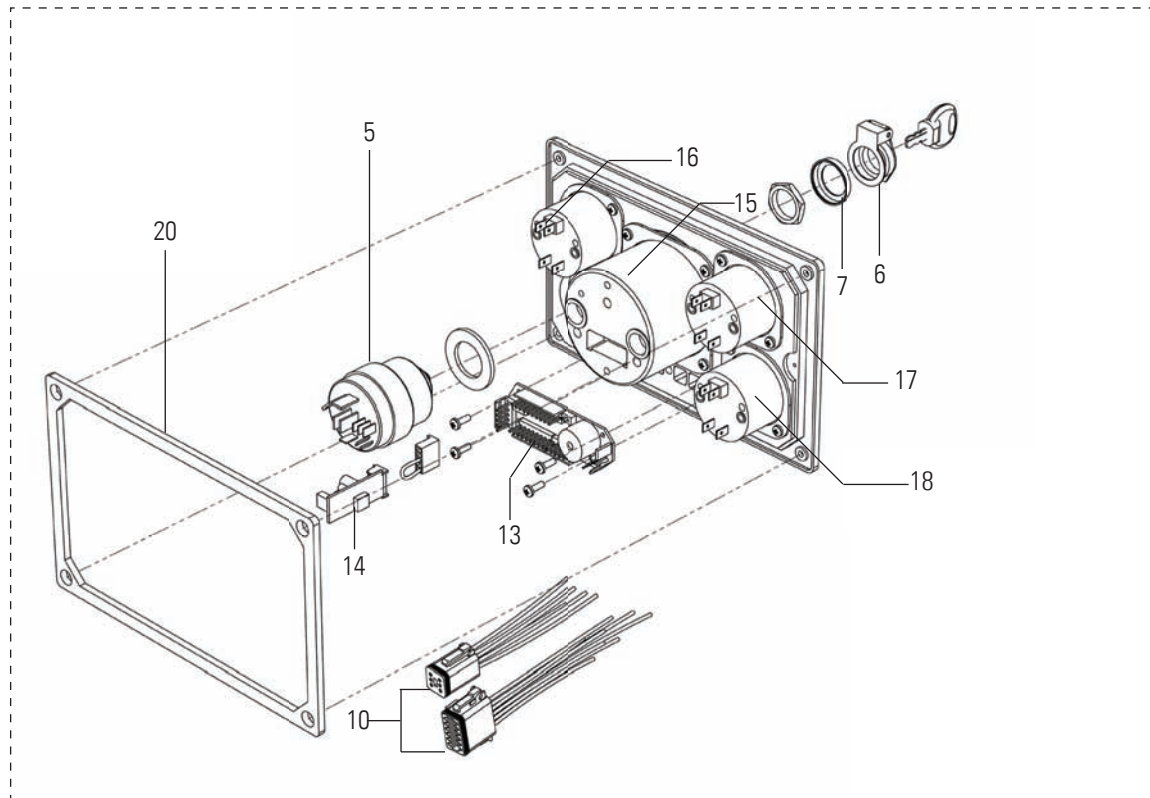


# SPARE PARTS

CM2.16

**Craftsman**  
MARINE

## 3.4 INSTRUMENT PANEL



MARINISATION PARTS

MITSUBISHI PARTS

ELECTRONICS





[info@craftsmanmarine.com](mailto:info@craftsmanmarine.com)  
[www.craftsmanmarine.com](http://www.craftsmanmarine.com)

Printed in the Netherlands

**CRAFTED WITH CRAFTSMAN MARINE**