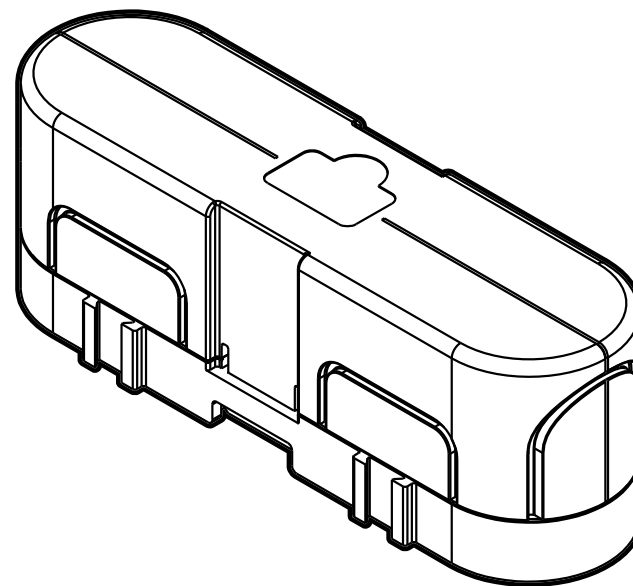




*Craftsman*  
MARINE

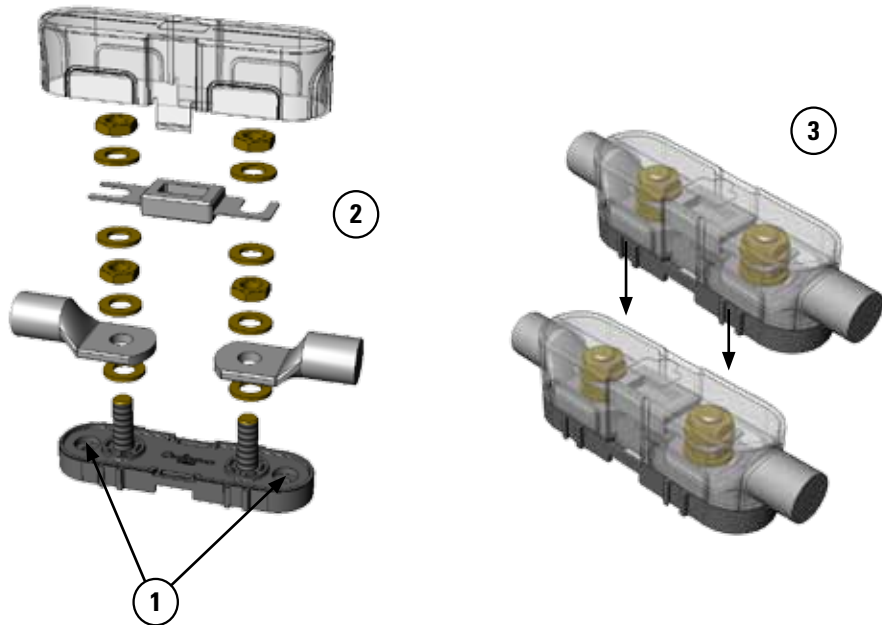


# FUSE HOLDER

INSTALLATION/INSTRUCTIONS DD.030.20000

## Fitting

1. Fastening holes. Do not fit the fuse holder onto a metal base.
2. Connect the cables and the fuse in the order as indicated in the picture below.  
Attention: the maximum turning moment (torque) for the nuts is 11Nm.
3. The fuse holders can be connected by sliding the sides into one another.
4. The cable lugs can be fitted in three different directions.
5. Remove the cable openings in the protective cover, by slitting them first.



## Specifications

Description	Fuse holder
Maximum voltage	48V DC
Type of fuse	ANL "slow-blow", maximum 500A
Connections	M10, brass bolts and nuts Maximum torque 11Nm
Can fuse holders be connected?	Yes
Dimensions [mm]	125 x 35 x 42

